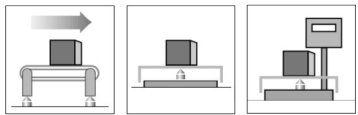
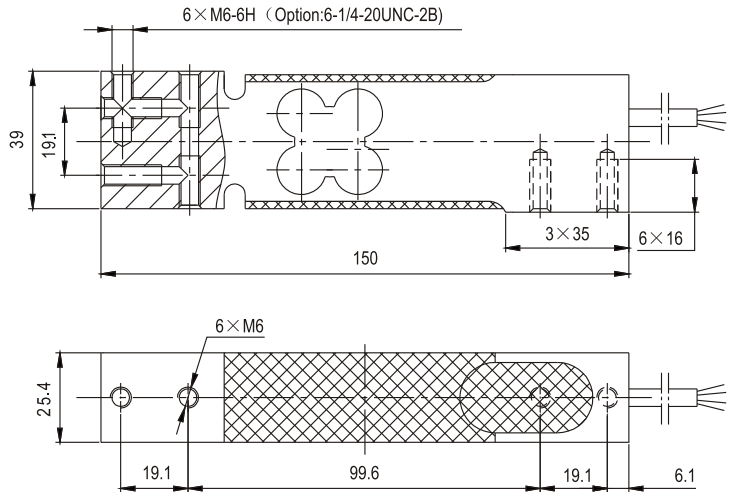
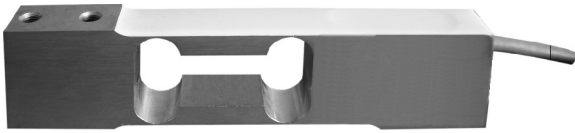


SP02

Load cells 称重传感器



Specifications 技术说明

Exc+激励正 (Red,红);Exc-激励负(Black,黑);Sig+信号正(Green,绿);Sig-信号负(White,白)

Item 项目	Unit 单位	Parameter 参数										
		C 2	C 3									
Accuracy class to OIML R 60 精度等级		C 2	C 3									
Maximum capacity (Emax) 额定载荷	kg	3,5,7,10,15,20,30,50,75,100,200										
Sensitivity (Cn) / Zero balance 灵敏度/零点平衡	mV/V	2.0 ± 0.2 / 0 ± 0.1										
Temperature effect on zero balance (TK0) 温度对零点影响	% of Cn/10K	±0.0175	±0.0140									
Temperature effect on sensitivity (TKc) 温度对灵敏度影响	% of Cn/10K	±0.0175	±0.0140									
Hysteresis error (dhy) 滞后误差	% of Cn	±0.02	±0.0150									
Non-linearity(dlin) 非线性误差	% of Cn	±0.0270	±0.0167									
Creep(dcr) over 30 min. 蠕变及蠕变恢复	% of Cn	±0.0250	±0.0167									
Eccentric error 四角误差	%	±0.0233										
Input (RLc)&Output resistance (R0) 输入&输出电阻	Ω	400 ± 20 & 350 ± 5										
Nominal range of excitation voltage (Bu) 额定电压	V	5~12										
Insulation resistance (Ris) at 50Vdc 绝缘电阻	MΩ	>2000										
Service temperature range (Btu) 工作温度	°C	-20...+50										
Safe load limit (EL) & Breaking load(Ed) 安全承载&破坏载荷	% of Emax	120 & 200										
Protection class according to EN 60 529 (IEC 529) 保护等级		IP65										
Material :Measuring element 材料：测量元件		Aluminum										
Maximum capacity (Emax) 额定载荷	kg	3	5	7	10	15	20	30	50	75	100	200
Min. load cell verification inter(vmin) 最小检定分度值	g	0.5	1	1	2	2	5	5	10	10	20	50
Maximum platform size 最大秤台尺寸	mm	300 × 300			450 × 450			600 × 600				
Deflection at Emax (snom), approx 最大载荷下的变形量	mm	≤0.5										
Weight(G), approx 重量	kg	0.45										
Cable 电缆: Diameter 直径: ∅5mm Length 长度	m	1.5										
Mounting: Cylindrical head screw 装配: 内六角圆柱头螺钉		M6-10.9(200kg); M8-10.9										
Tightening torque 螺丝紧固力矩	N.m	14N.m(200kg); 33N.m										