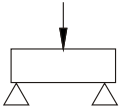
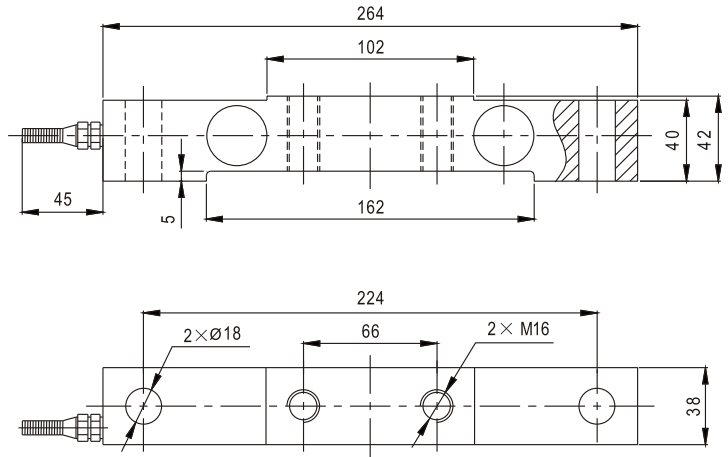
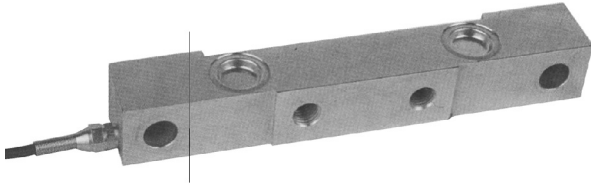


# DSB11

## Load cells 称重传感器



轻轨衡、天车秤等 Light railway scale,overhead crane scale

### Specifications 技术说明 Exc+激励正 (Red,红);Exc-激励负(Black,黑);Sig+信号正(Green,绿);Sig-信号负(White,白)

Item 项目	Unit 单位	Parameter 参数
Accuracy class to OIML R 60 精度等级		C1
<b>Maximum capacity (E<sub>max</sub>) 额定载荷</b>	<b>t</b>	<b>1.5,3,5</b>
Minimum LC verification interval (V <sub>min</sub> ) 最小检定分度值	% of E <sub>max</sub>	0.0200
<b>Sensitivity (C<sub>n</sub>) / Zero balance 灵敏度/零点平衡</b>	<b>mV/V</b>	<b>1.5 ± 0.005 / 0 ± 0.02</b>
Temperature effect on zero balance (TK <sub>0</sub> ) 温度对零点影响	% of C <sub>n</sub> /10K	±0.02
Temperature effect on sensitivity (TK <sub>c</sub> ) 温度对灵敏度影响	% of C <sub>n</sub> /10K	±0.02
Hysteresis error (d <sub>hy</sub> ) 滞后误差	% of C <sub>n</sub>	±0.1000
Non-linearity(d <sub>lin</sub> ) 非线性误差	% of C <sub>n</sub>	±0.0500
Creep(d <sub>cr</sub> ) over 30 min. 蠕变及蠕变恢复	% of C <sub>n</sub>	±0.030
<b>Input (R<sub>Lc</sub>) &amp; Output resistance (R<sub>o</sub>) 输入&amp;输出电阻</b>	<b>Ω</b>	<b>750 ± 10 &amp; 703 ± 2</b>
<b>Nominal range of excitation voltage (B<sub>u</sub>) 额定电压</b>	<b>V</b>	<b>5~12</b>
Insulation resistance (R <sub>is</sub> ) at 50Vdc 绝缘电阻	MΩ	≥5000
Service temperature range (B <sub>tu</sub> ) 工作温度	°C	-30...+70
Safe load limit (E <sub>L</sub> ) & Breaking load(E <sub>d</sub> ) 安全承载&破坏载荷	% of E <sub>max</sub>	150 & 300
<b>Protection class according to EN 60 529 (IEC 529) 保护等级</b>		<b>IP68</b>
Material :Measuring element 材料: 弹性性 Cable fitting 电缆配件/Cable-sheath 电缆护套		Alloy steel Nickel-plated brass/PVC

Maximum capacity (E <sub>max</sub> ) 额定载荷	t	1.5	3	5
Deflection at E <sub>max</sub> (s <sub>nom</sub> ) ,approx最大载荷下的变形量	mm	0.45		
Weight(G),approx 重量	kg	2.6		
Cable 电缆: Diameter 直径: Ø6mm Length长度	m	3		