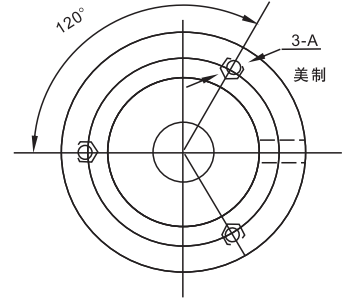
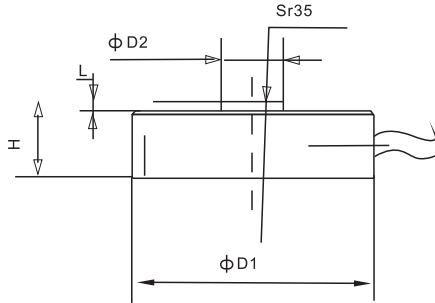
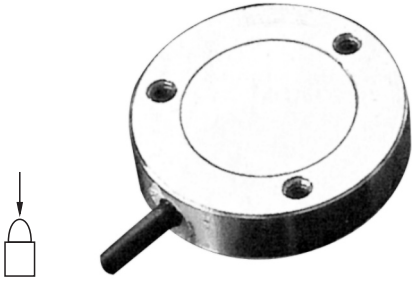


DSK06

称重传感器 Load cells



额定载荷(kg) Rated Load	D1	D2	H	L	A
50~100	25	5.3	10	1.3	#4-40UNC
200~1000	32	8.1	10	1.8	#6-32UNC
3000~10000	38	1.1	16	2.0	#6-32UNC

空间小的压式测力场合

Compression testing for small space

Specifications 技术说明

Exc+激励正 (Red,红);Exc-激励负(Black,黑);Sig+信号正(Green,绿);Sig-信号负(White,白)

额定载荷 Rated Load	50,100,200,500lb,1,3,5,7.5,10klb,100kg	工作温度范围 Operating Temp Range	-30~+70℃
灵敏度 Sensitivity	1.0mV/V	安全过载 Safe load limit	100%F.S
综合误差 Total error	±0.3%F.S;±1.0%F.S	极限过载 Over load limit	120%F.S
蠕变(30分钟) Creep(30min)	±0.3%F.S	推荐激励电压 Recommend excitation	10V DC
零点平衡 Zero balance	±1%F.S	最大激励电压 Maximumu excitation	10V DC
零点温度影响 TCO	±0.05%F.S/10℃	密封等级 Protection Class	IP67
输出温度影响 TC SPAN	±0.05%F.S/10℃	材质 Construction	不锈钢Stainless Steel
输入阻抗 Input resistance	350±10Ω	电缆 Cable	
输出阻抗 Output resistance	350±5Ω		Length:1.5m
绝缘电阻 Insulation resistance	≥5000MΩ		Diameter: φ 3mm