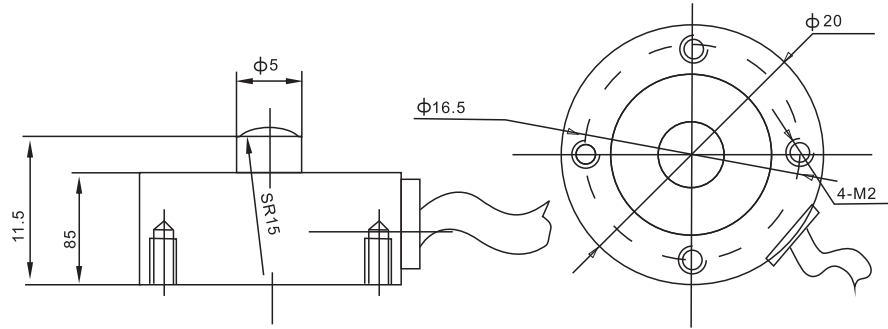


DSK07

称重传感器 Load cells



空间小的压式测力场合
Compression testing for small space



Specifications 技术说明 Exc+激励正 (Red,红);Exc-激励负(Black,黑);Sig+信号正(Green,绿);Sig-信号负(White,白)

额定载荷 Rated Load	100,200,300,500N,3klb	工作温度范围 Operating Temp Range	-30~+70℃
灵敏度 Sensitivity	1.0mV/V	安全过载 Safe load limit	120%F.S
综合误差 Total error	±1.0%F.S	极限过载 Over load limit	150%F.S
蠕变 (30分钟) Creep(30min)	±0.1%F.S	推荐激励电压 Recommendexcitation	10V DC
零点平衡 Zero balance	±1%F.S	最大激励电压 Maximumu excitation	10V DC
零点温度影响 TCO	±0.03%F.S/10℃	密封等级 Protection Class	IP67
输出温度影响 TC SPAN	±0.03%F.S/10℃	材质 Construction	不锈钢Stainless Steel
输入阻抗 Input resistance	380±30Ω	电缆 Cable	
输出阻抗 Output resistance	353±3Ω		Length:1.5m
绝缘电阻 Insulation resistance	≥5000MΩ		Diameter: φ 3mm