



SH16491  
Size: 500x200mm



SCL16211  
Size: 160x80mm

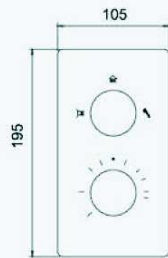


65202  
Concealed thermostatic mixer  
2-3 ways



**65302**

Concealed thermostatic mixer  
2-3 ways



Handle Options



01



02

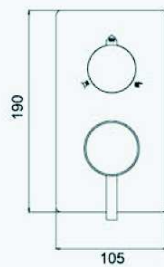


03



**65402**

Concealed thermostatic mixer  
2-3 ways



Handle Options



01



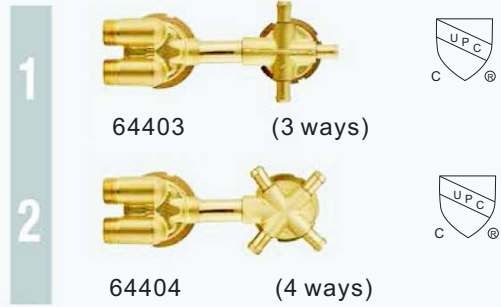
02



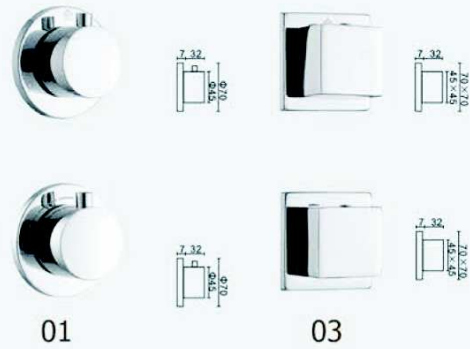
03



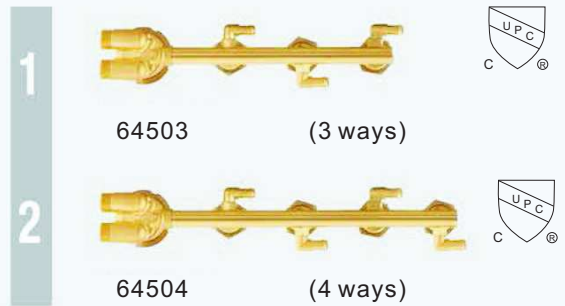
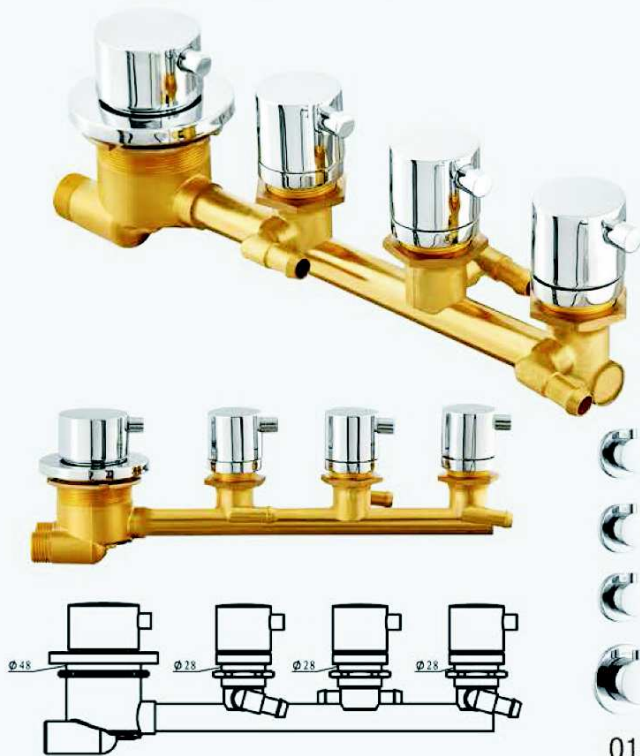
Pressure balanced valve with diverter, front disassembly structure



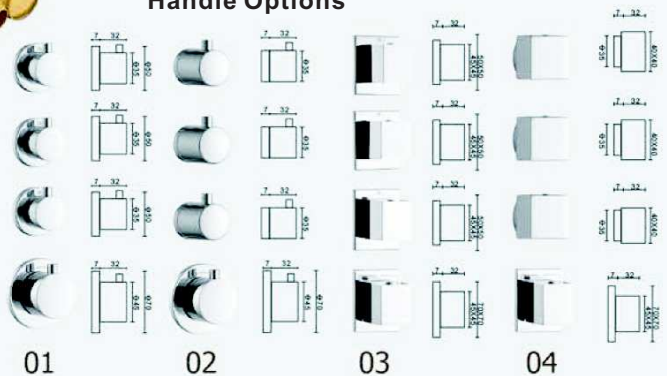
**Handle Options**



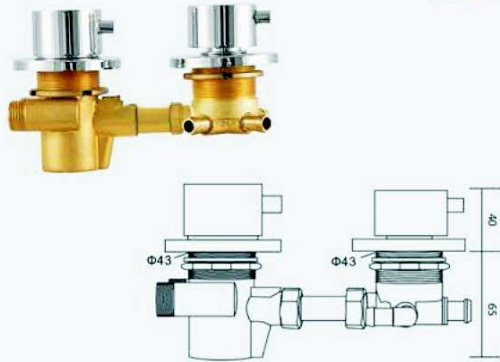
Pressure balanced valve with 3 diverters, front disassembly structure







**Handle Options**



Thermostatic mixer with diverters, front disassembly structure

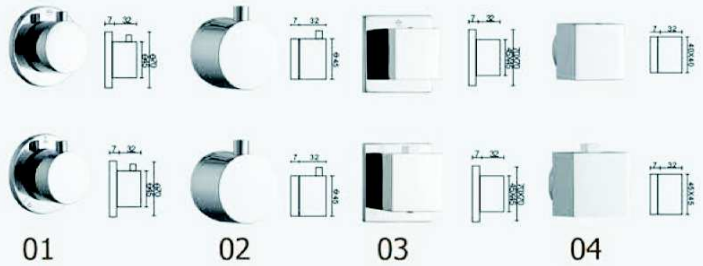


- 1**



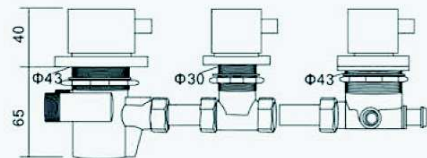
64603 (3 ways)
- 2**



64604 (4 ways)

Handle Options



Thermostatic mixer with diverter and flow rate regulator, front disassembly structure



- 1**

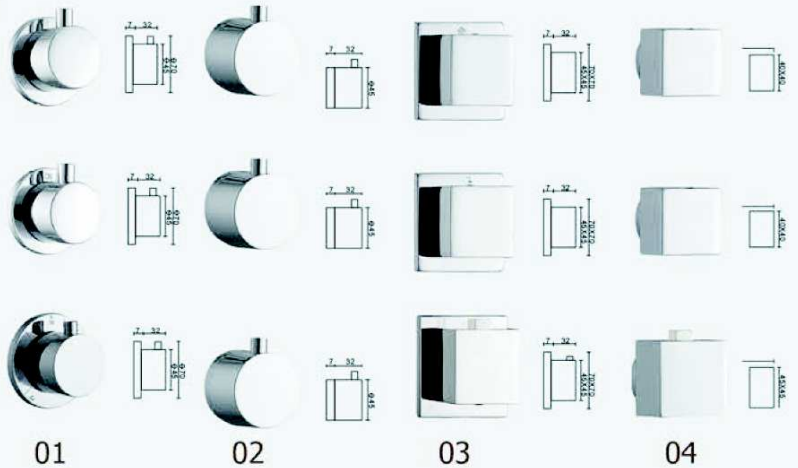


64703 (3 ways)
- 2**



64704 (4 ways)

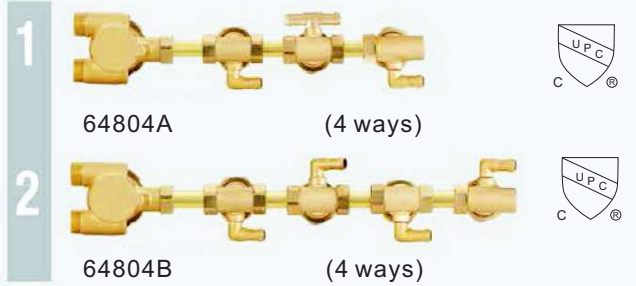
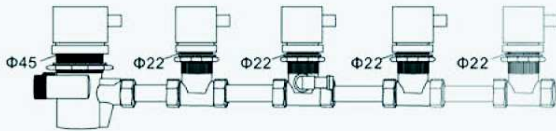
Handle Options



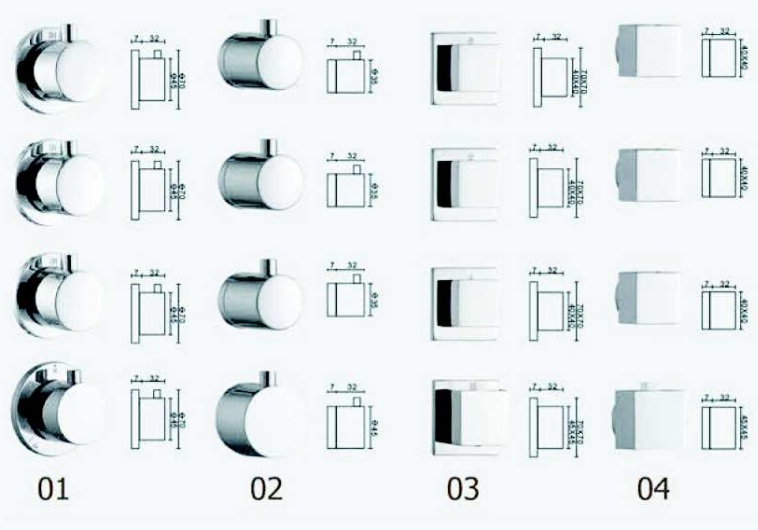


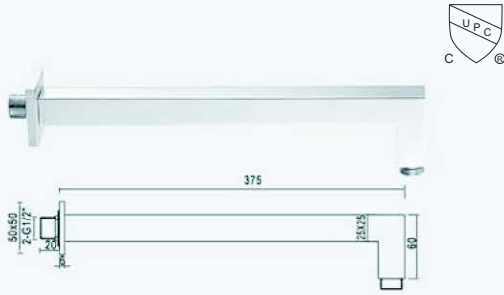
# THERMOSTATIC MIXER WITH DIVERTERS

Thermostatic mixer with 4 diverters, front disassembly structure

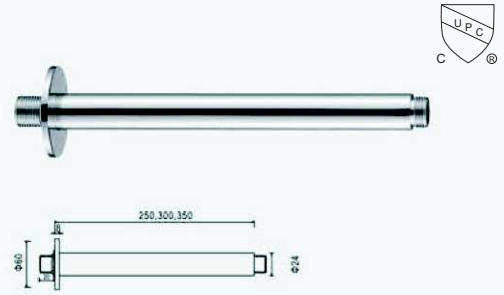


## Handle Options

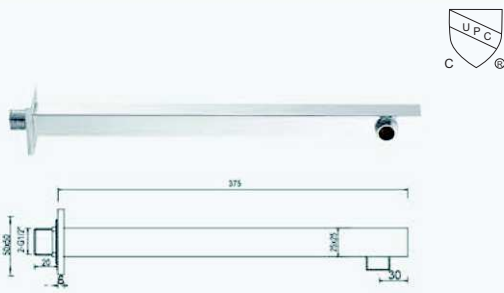




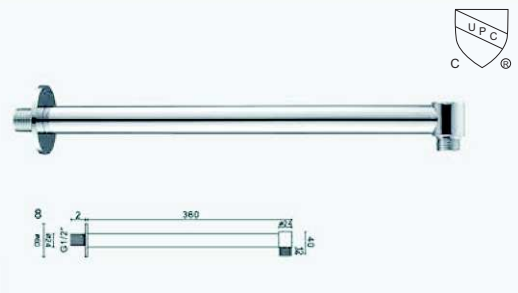
SA0605



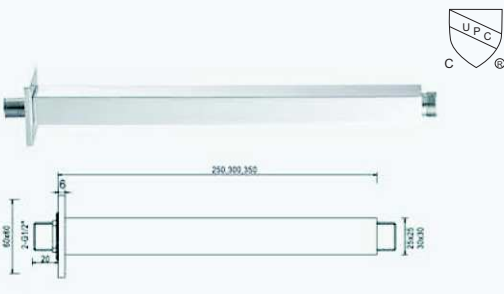
SA1332



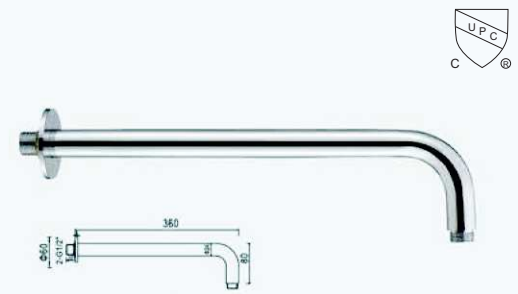
SA1303



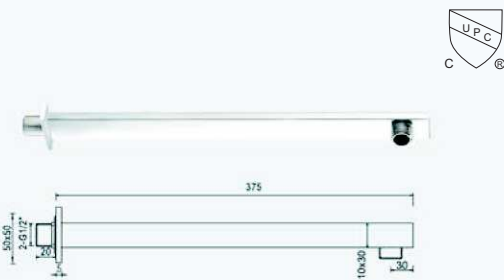
SA1305



SA1330



SA1301

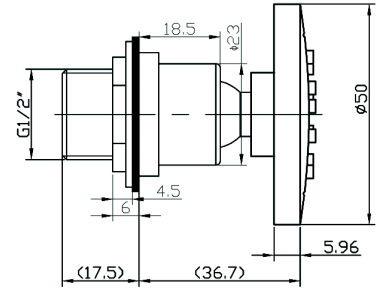
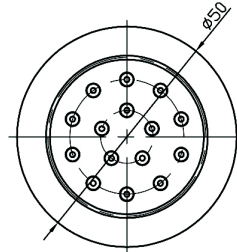


SA1341

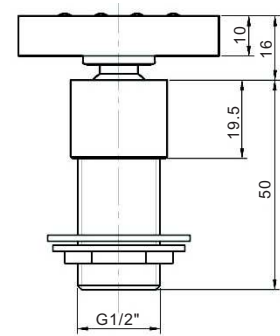
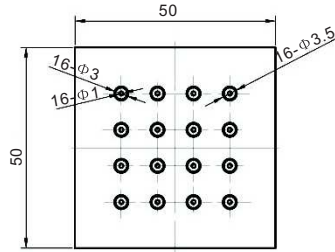
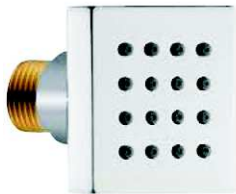


SCL16248

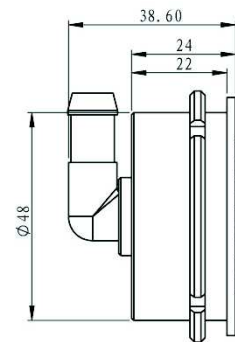
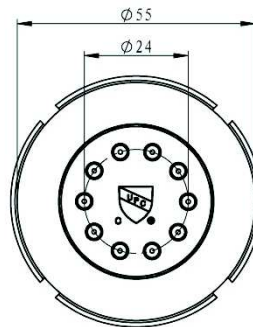




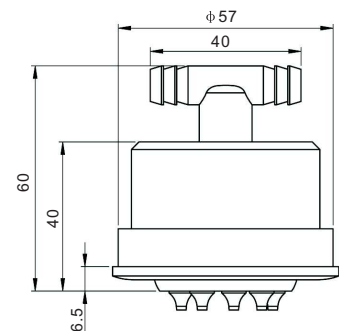
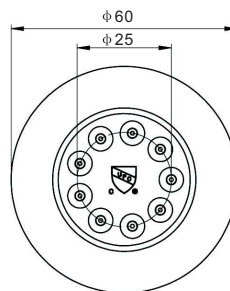
SH16600  
(Plastic)



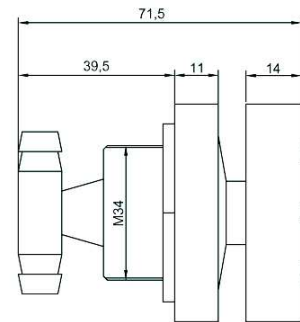
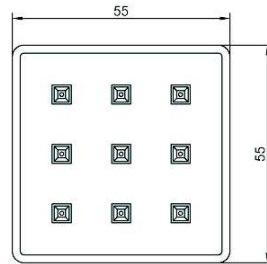
SH16601  
(Plastic)



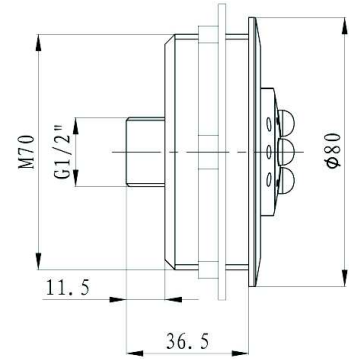
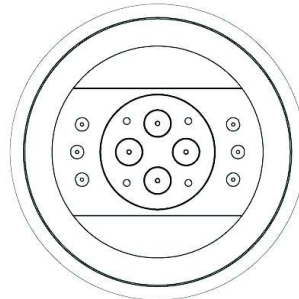
SH16602  
(Plastic)



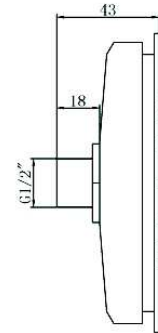
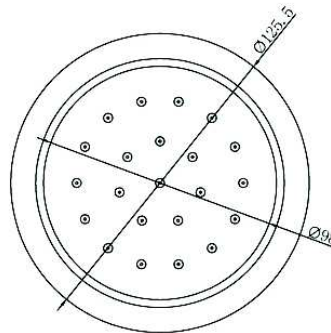
SH16603  
(Plastic)



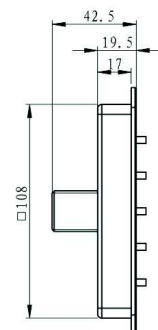
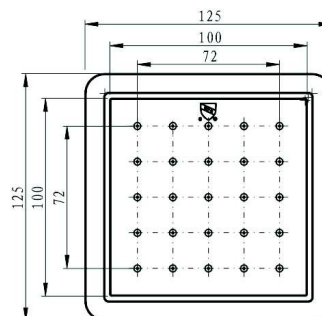
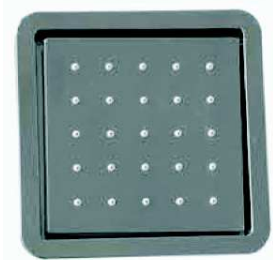
**SH16604**  
(Plastic)  
Movable



**SH16605**  
(Plastic)



**SH16606**  
(Plastic)  
Push

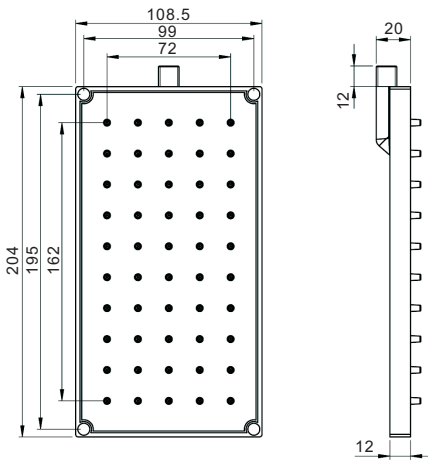


**SH16607**  
(Plastic)  
Push

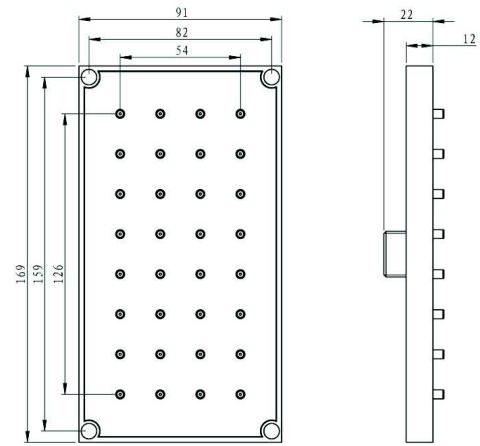




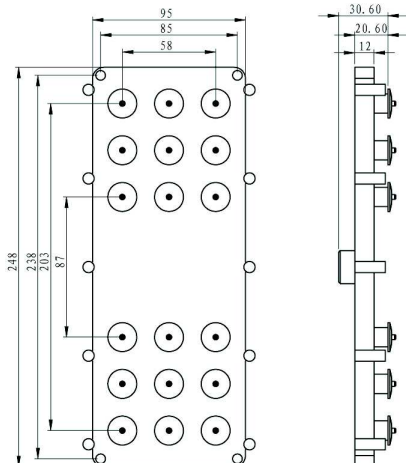
**SH16608**  
(Plastic)



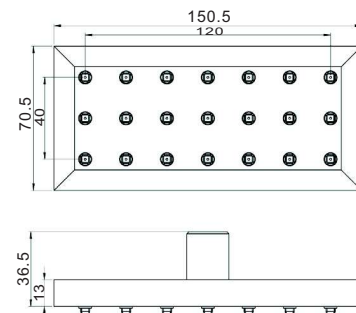
**SH16609**  
(Plastic)



**SH16610**  
(Plastic)

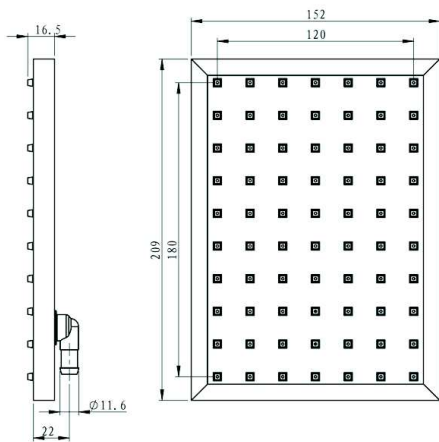


**SH16611**  
(Stainless Steel)

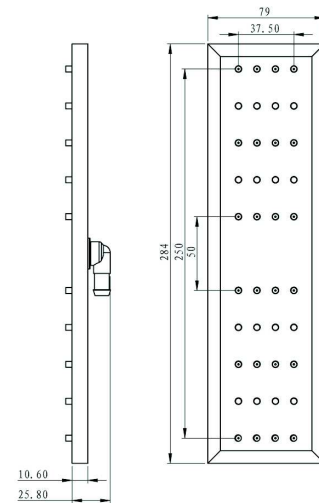




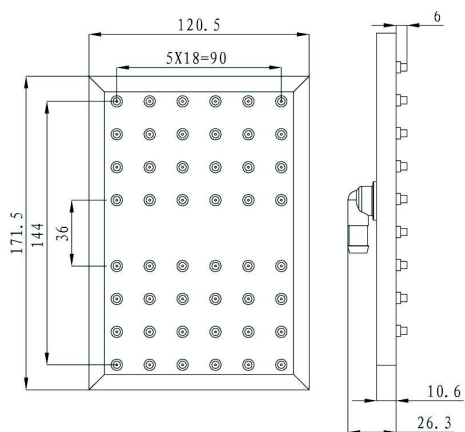
**SH16612**  
(Stainless Steel)



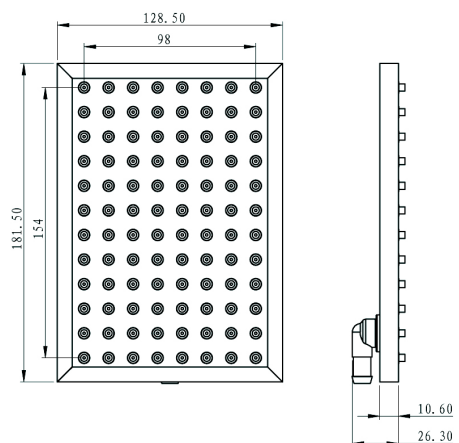
**SH16613**  
(Stainless Steel)

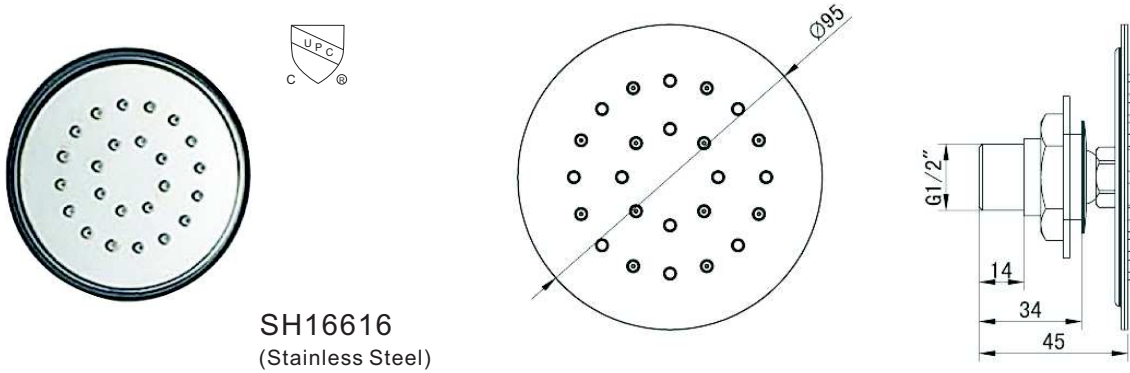


**SH16614**  
(Stainless Steel)

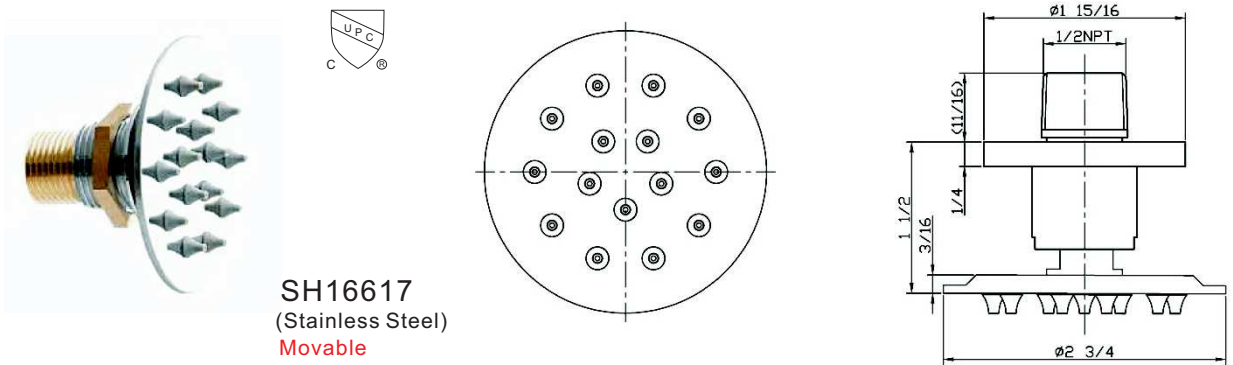


**SH16615**  
(Stainless Steel)

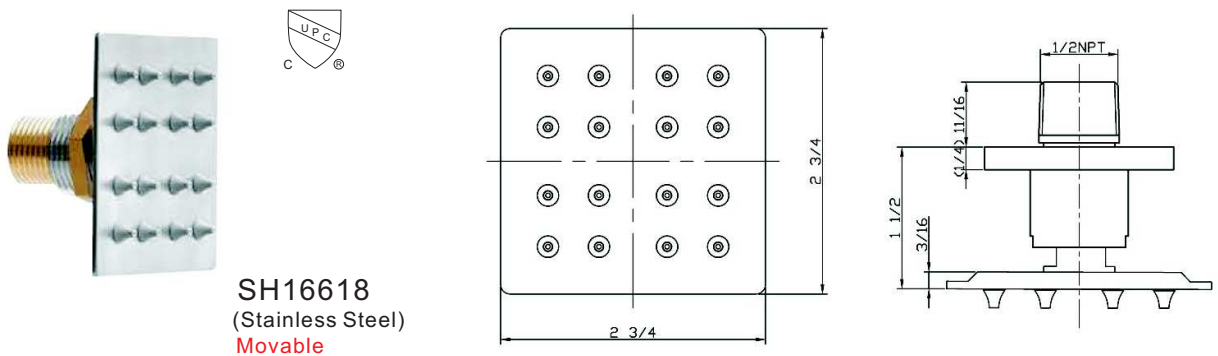




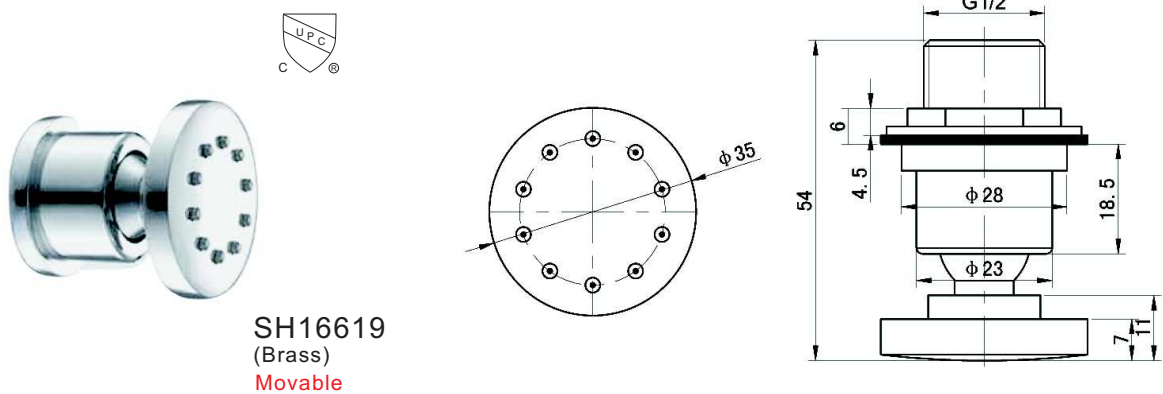
**SH16616**  
(Stainless Steel)



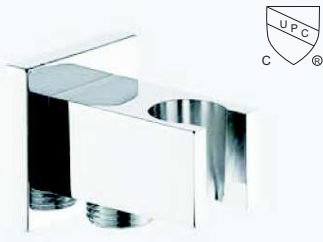
**SH16617**  
(Stainless Steel)  
**Movable**



**SH16618**  
(Stainless Steel)  
**Movable**



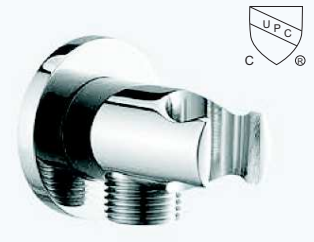
**SH16619**  
(Brass)  
**Movable**



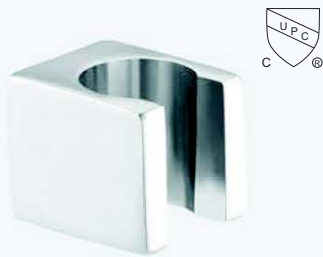
S1601



S1602



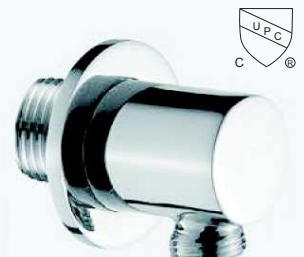
S1603



S1604



S1605



S1606



S1607



S1608



S1609



S1610



S1611



S1612



S1613



S1614



S1615



FH1630A  
Silver-shiny Shower Hoses



FH1630B  
Silver-shiny Shower Hoses



FH1631A  
Stainless steel & Brass shower hose, Double lock



FH1632A  
PVC Spiral Hoses



FH1633B  
PVC Silver Hoses



FH1633C  
PVC Silver Hoses



FH1305  
D14mmx1.5m  
S/S chrome-plated double  
lock shower hose

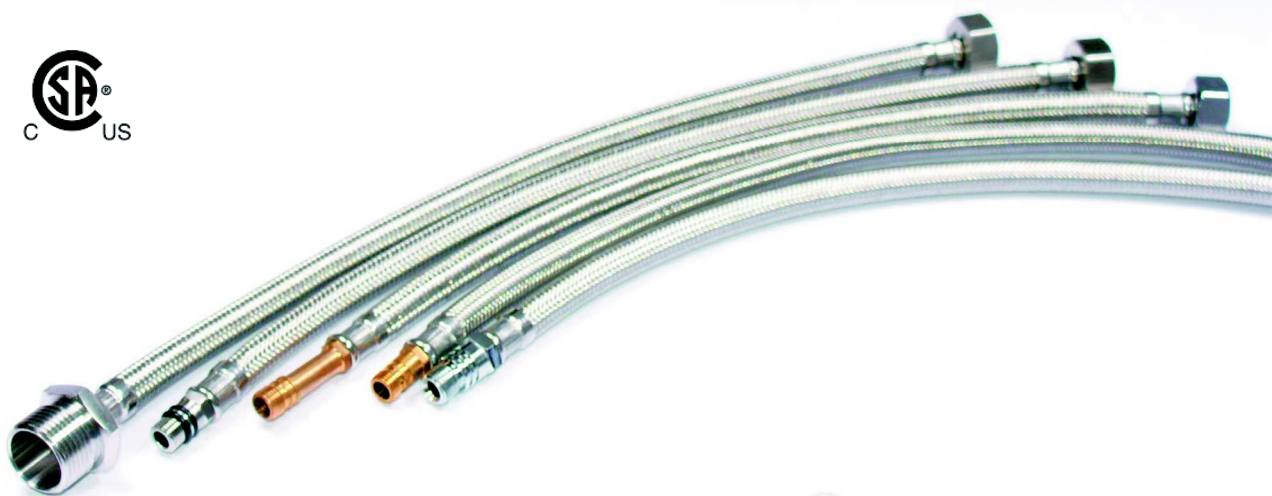


FH1634A



FH1635A

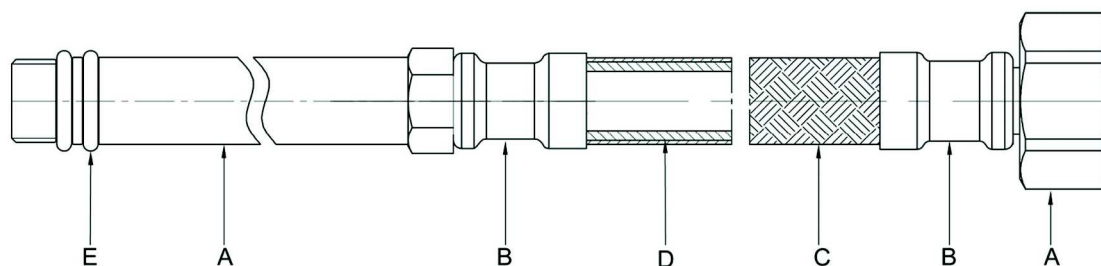
# FOR FAUCET CONNECTORS 龙头连接软管



## ● APPLICATIONS 产品用途

适用于龙头进水连接

For faucet connector



## ● Material 材料

**A** - 接头 SUS304 OR Brass

**C** - AISI 304不锈钢 Stainless steel AISI304

**E** - O-ring EPDM

**B** - AISI 304不锈钢 Stainless steel AISI304

**D** - 内管 TPE PE-X PVC、EPDM

## ● Technical Specifications

技术规格

软管外径 (mm) 9 18mm	Outer Diameter(mm) 9 18mm
工作压力 (MPa)0.7	Working Pressure(MPa)0.7
爆破压力 (MPa)3.5	Bursting Pressure(MPa)3.5
工作温度 (90℃)	Working Temperture(90℃)
长度范围 (cm) 10~200	Length(cm) 10~200

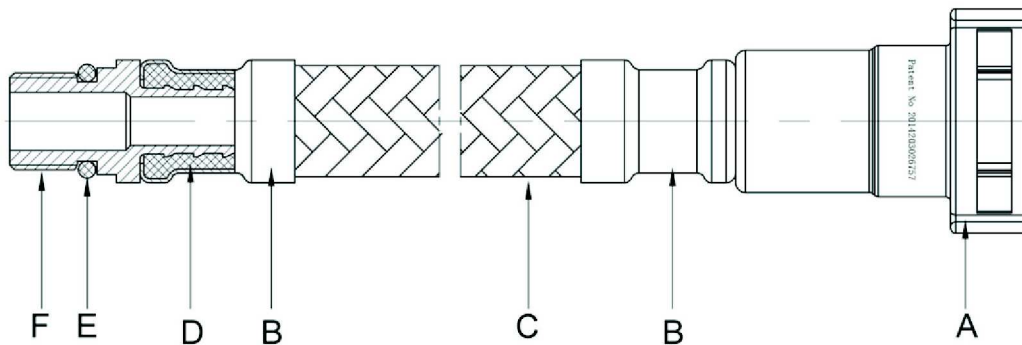
# PUSH-FIT FLEXIBLE CONNECTOR 水龙头快接软管



## ● 产品专利名称 (一种软管快速接头)

## ● APPLICATIONS 产品用途

适用于水龙头连接  
For faucet



## ● Material 材料

**A** - 接头 CELCON M90 CF2001 NATURAL  
**C** - AISI 304不锈钢 Stainless steel AISI304  
**E** - O-ring EPDM

**B** - AISI 304不锈钢 Stainless steel AISI304  
**D** - 内管 TPE PE-X PVC、EPDM  
**F** - 接头 SUS304 OR Brass

## ● Technical Specifications

技术规格

长度范围 (mm) 200~800	Length(mm) 200~800
外径 (mm) $\varnothing 9$ $\varnothing 13$	Dimension OD (mm) $\varnothing 9$ $\varnothing 13$
工作温度90°C	Working Temperture 90(°C)
爆破压力 350PSI	Burst Pressure 350PSI

Polished



H1601  
 $\phi$  1.25"x18"  
 $\phi$  1.25"x24"

Brushed



H1602  
 $\phi$  1.25"x18"  
 $\phi$  1.25"x24"

Peended-Brushed



H1604  
 $\phi$  1.25"x18"  
 $\phi$  1.25"x24"

PVD Plated



H1605  
 $\phi$  1.25"x18"  
 $\phi$  1.25"x24"

Oil Rubbed Bronze-dark



H1608  
 $\phi$  1.25"x18"  
 $\phi$  1.25"x24"

Baking Finish



H1640  
 $\phi$  1.25"x18"  
 $\phi$  1.25"x24"

Right Angle Grab Bar-Polished



H1609  
 $\phi$  1.25"x18"  
 $\phi$  1.25"x24"

Skyline Grab Bar



H1630  
 $\phi$  1.25"x18"  
 $\phi$  1.25"x24"



Angled Grab Bar With Two Flange



H1611  
φ 32x300x300mm

Angled Grab Bar With Two Flange



H1612  
φ 32x300x300mm

Angled Grab Bar With Two Flange



H1613  
φ 32x300x300mm

Angled Grab Bar With Two Flange



H1614  
φ 32x300x300mm

Angled Grab Bar-Two Flange With Basket

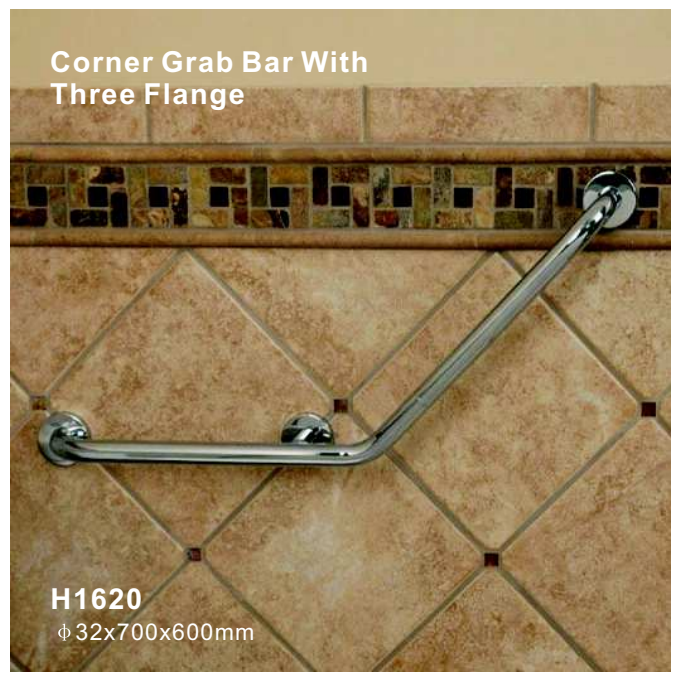
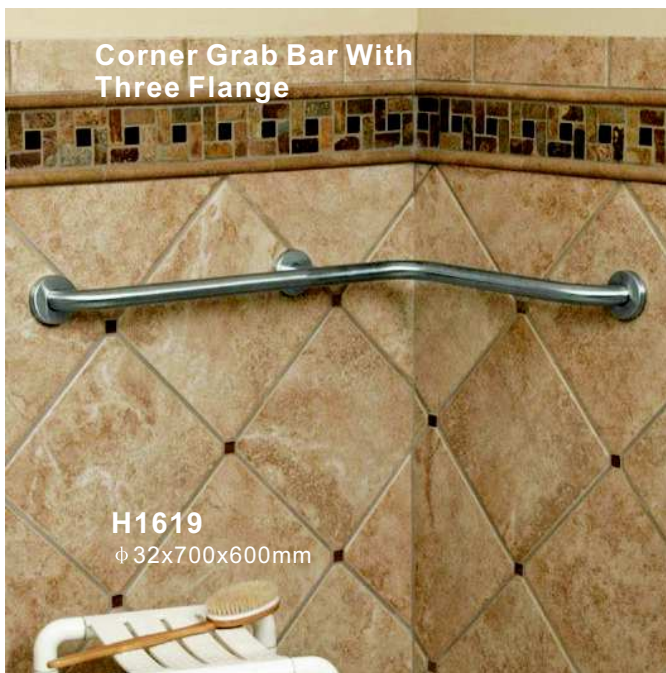


H1615  
φ 32x300x300mm

Angled Grab Bar-Two Flange With Basket



H1616  
φ 32x300x300mm





VICLION®

## BATHROOM HANDEAIL

**Standard U-Shape Flip up Grab bar**



**H1621**  
φ 32x700mm

**Fixed U-Shape Grab bar**



**H1622**  
φ 32x700mm

**U-Shape Grab Bar With Leg Support**



**H1623**  
φ 32x700x800mm

**Wall-To-Floor Grab Bar**



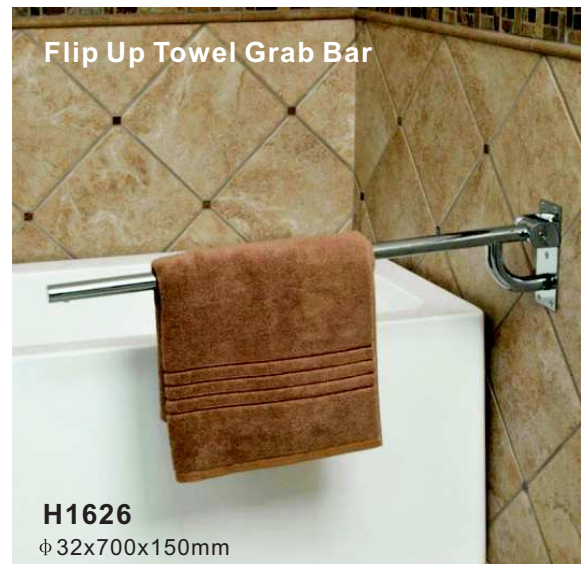
**H1624**  
φ 32x700x800mm

**T-Shape Grab Bar**



**H1625**  
φ 32x700x800mm

**Flip Up Towel Grab Bar**



**H1626**  
φ 32x700x150mm



H1631  
φ 32x800mm



T1301  
Plastic Made



VICLION<sup>®</sup>

## **NINGBO YINZHOU VICLION ELECTRIC CO.,LTD.**

- Add.:No.128 JinTong Rd., Xin Cheng Viillage, WuXiang IndustrialDistrict, YinZhou, NingBo,315111, China.
- TEL: 0086-574-87720528, 87977001
- FAX: 0086-574-87721358, 87721328
- M.T.: 0086-13505742372
- E-mail: fangwang832@126.com  
fangwang@mail.nbptt.zj.cn
- Http://www.viclion.cn