



VICLION[®]

2018



NINGBO YINZHOU VICLION ELECTRIC CO., LTD.

[HTTP://WWW.VICLION.CN](http://www.viclion.cn)

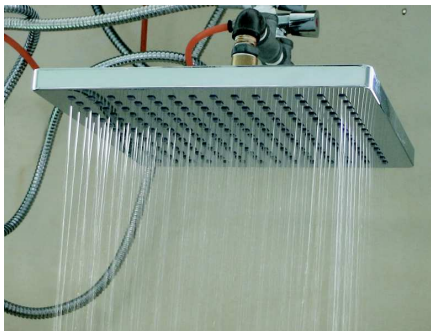


【Company Introduction】

宁波市鄞州胜狮电器科技有限公司，座落在宁波东部五乡工业园区，与绕城高速丁家山入口距离仅500米左右，交客通便利，32省道和通和途途均可到达我厂占地面积8500平方米，车间面积9000平方米。

本厂工米作米作糜严耐产品质量要求精益求精，车间设有注塑车间及五金车间、电机装配车间车等，主要产品塑料件、五金件、电机及卫浴配件，产品远销欧美市场，本厂崇尚以质量求生存。以价格竞场市顾客至上的目标。是合作创业业的好伙伴热诚欢迎海内外客商来函来电洽谈，共谋发展。

Ningbo Yinzhou Viclion Electric Co.,Ltd locates in the east of NINGBO city.Factory owns 8,500 square meters lands and workshop is with 9,000 square meters. In our factory, we mainly produce the plastic parts,metal parts and motor blowers for the cooling and heating and ventilation equipments. Meanwhile we manufacture the parts for sanitary such as the shower head , hand shower etc. It is more than 21 years since we have been in this field of business.We pay more attention on the quality of product.Our main business action is with European country,north America,middle east and south America We are able to develop the products in according to our client' s requirements or samples.Sincerely we welcome your visiting and want to be your business partner in the coming days.



CARSO - LABORATOIRE SANTÉ ENVIRONNEMENT HYGIÈNE DE LYON
 Laboratoire Agréé pour les analyses d'eau par le Ministère de la Santé
 Laboratoire habilité par le Ministère chargé de la santé en application de l'article R° 1321-52 du code de la santé publique

ATTESTATION DE CONFORMITE SANITAIRE
Certificate of sanitary conformity
 Conformément à l'arrêté du 29 mai 1997 modifié et à la circulaire du Ministère de la santé
 Direction Générale de la Santé DGS/SD7A 2002 n°571 du 25 novembre 2002

Coordonnées du demandeur des essais / Contact details of the ACS owner :

NINGBO VICLION IMP. & EXP. CO., LTD.
 Xincheng Village, Wuxiang Town
 Yinzhou District
 NINGBO
 P.R. CHINA

Nom de l'accessoire représentatif / Reference of the representative accessory :
 Douche de tête / Overhead Shower SH14186

N° de dossier attribué par le laboratoire habilité / File reference : **16 ACC LY 007**

Date de réalisation des essais d'inertie selon la norme XP P41-280 du 19 Janvier 2016 au 1 Février 2016
 Tests date according to the standard XP P41-280) : from January 19 to February 1, 2016

Commentaires / Comments : les résultats des essais sont conformes aux exigences de la circulaire DGS/SD7A N° 571 du 25 Novembre 2002. The results are in accordance with the requirements of the circular DGS/SD7A N°571 dated November 25, 2002.

Famille d'accessoires couverte par l'ACS / Accessories' family covered by this certificate :
 Douches de tête / Overhead Showers

Références / References (10 references) :

PC08130.C(PC08109.C, SH1345)	SH1445
PC08124.C(PC08236.C, SP0639)	SH150778
PC08219.C(PC08231.C, SH1305)	SH14186
PC08122.C(PC08234.C, SH0854)	SH14185
PC08123.C(PC08235.C, SH0853)	SH14187

Attestation délivrée par / Certificate issued by : Christelle AUTUGELLE Signature :
 Responsable Laboratoire MCDE
 CARSO-L.S.E.H.L.

A la date du / Date of issue : 2 février 2016
 Date d'expiration / Expiry date : 02 Février 2021

Commentaires / Comments : /

F_MC066-b 15 09/2014 MLN

Société par action simplifiée au capital de 2 283 623,90 Euros - RCS Lyon B 410 548 313 - SIRET 410 548 313 00042 - APE 743 B - N° TVA : FR 82 410 548 313
 Siège Social : 4, avenue Jean Moulin - CS 30278 - F - 69633 VILLENEUVE-CEDEX - Tél. : (33) 04 72 76 16 16 - Fax : (33) 04 72 72 12 11

DMK International Certification Limited(Hong Kong)
RICHY CTR 36 CHONG YIP ST KWUN TONG KOWLOON,
HONG KONG
 demk@demk.hk

DMK

EUROPEAN COMMUNITY — CERTIFICATE OF COMPLIANCE

Certificate Number UCN : 20104162918

Date of Issue : 2010-04-16

Product description : Tap

Model N : 5400 Series (54140CR, 54140B, 54100CR, 54100B, 54120CR, 54120B, 54105CR, 54105B, 54110CR, 54110B, 54130CR, 54130B, 54125CR, 54125B, 76142CR, 76142B, 301CR, 301B)

Applicant :
 Ningbo Yinzhou Viclion Electric co., Ltd.
 Xincheng Village, Wuxiang Town, Yinzhou District, Ningbo, P.R.China.

Test required :
 EN 817:2009

Conclusion:
 The product meets the technical requirement of the above standards and hence fulfils the technical requirements of the following directives
 89/106/EC

This certificate is only valid for the equipment and configuration described, in conjunction with the test data details above.

The CE mark as show below can be used, under the responsibility of the manufacturer, after completion of an EC Declaration of Conformity and compliance with all relevant EC Directives.

CE

Copyright of this Certificate is owned by DMK international and may not be reproduced other than in full and with the prior approval of the General Manager.
 The producer is authorized to put on the instruction manual, in the box and/or in the product the following text:
If you want to check the authenticity of this certificate go in the web site www.demk.hk and introduce the ucn number in the ' check document authenticity ' area. You willsee copy of this certificate.

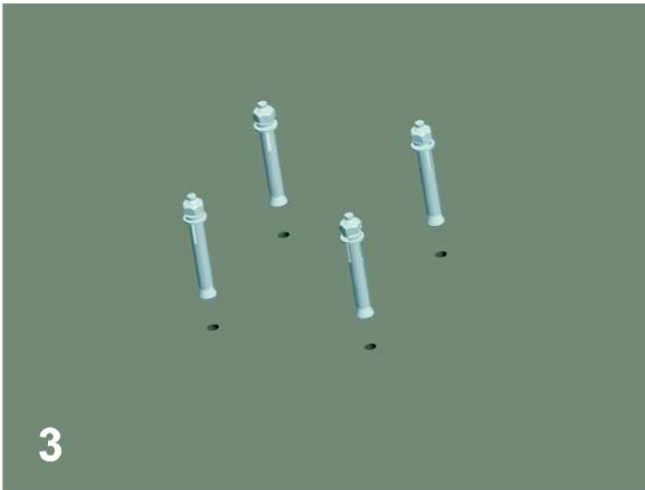
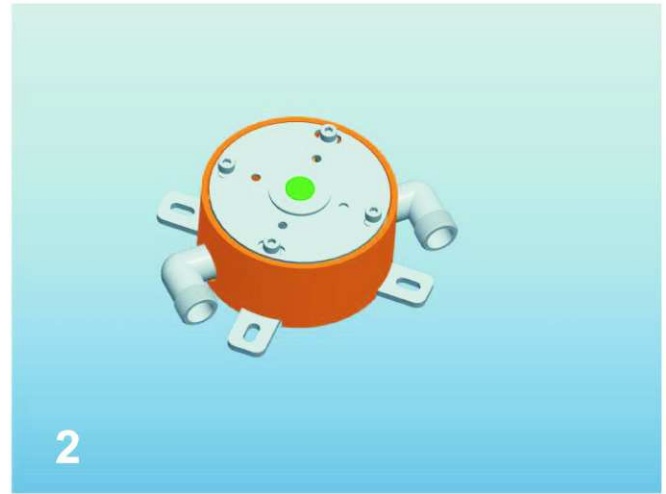
william wail
 Certification Manager
 DMK International
www.demk.hk

William wail



INSTALLATION INSTRUCTION:

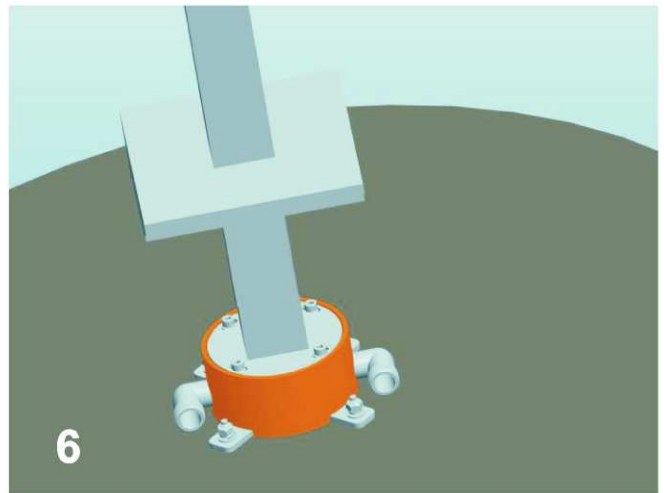
落地龙头暗装盒
安装示意图:



1 将生料带绕在弯头的一端。
the raw material belt around the elbow end.

2 将弯头拧入暗装盒内。
the elbow is screwed into the dark box.

3 以暗装盒底部4个孔为基准打孔。
according to the box base. 4 the basis of holes drilling.

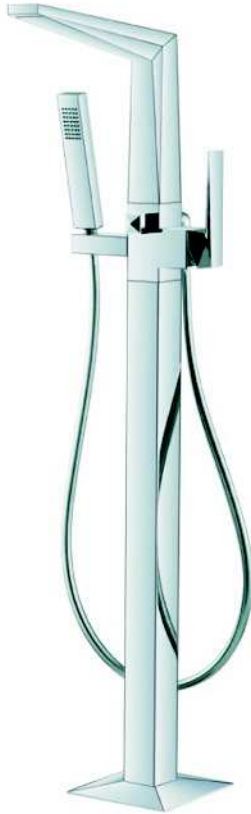


4 按浴缸出水咀的方向，摆好暗装盒的位置，用自带水平仪调好水平面，再将固定。
according to the bath water Tsui 's direction, set the box location, with screwsDue to good.By

5 按红、蓝或H.C标识接好远端水路，用混凝土固定暗装盒，然后取出盖板 and 水平泡。
red, blue or H.C logo connected distal waterway, with concrete fixed darkBox, and then remove the cover plate and the level bubble.

6 将底座套入方管一定距离，再把盖板锁在方管底部，然后将拧好进水管的主体穿入方管。最后用螺丝将盖板与暗装盒固定。
the base is sheathed in the pipe with a certain distance, then the lock in the bottom cover plate, Then screw the water inlet pipe body penetrates the main body. Finally with screw coverAnd the box is fixed.

Bathtub Mixer



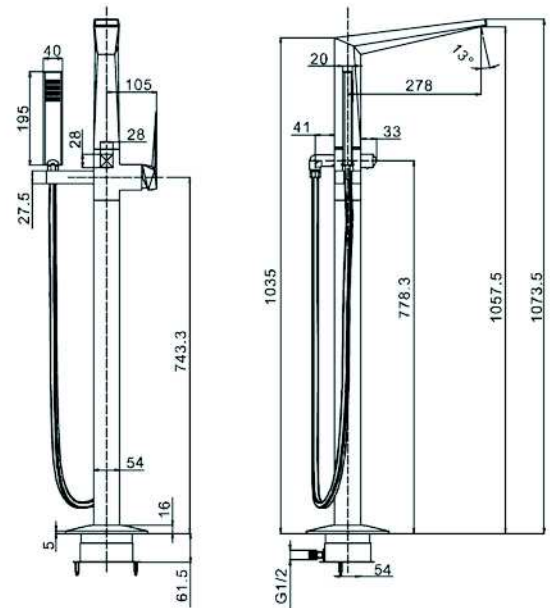
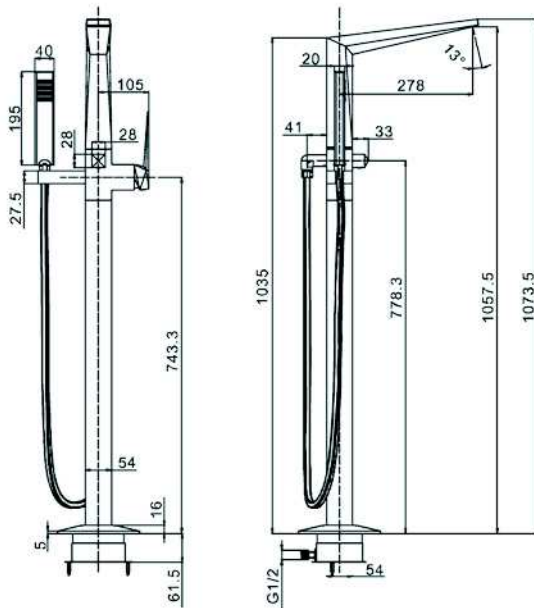
L170201

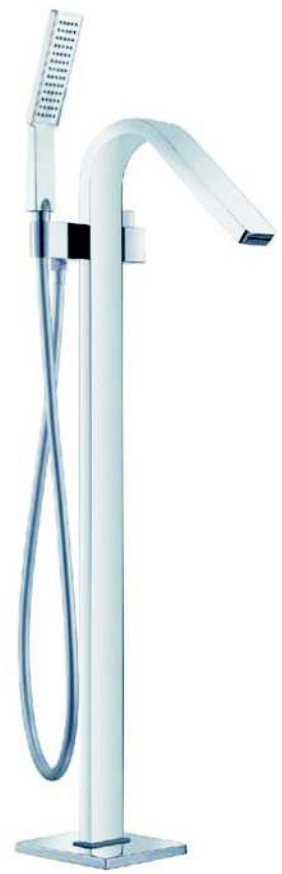
bath shower floor standing mixer



L170202

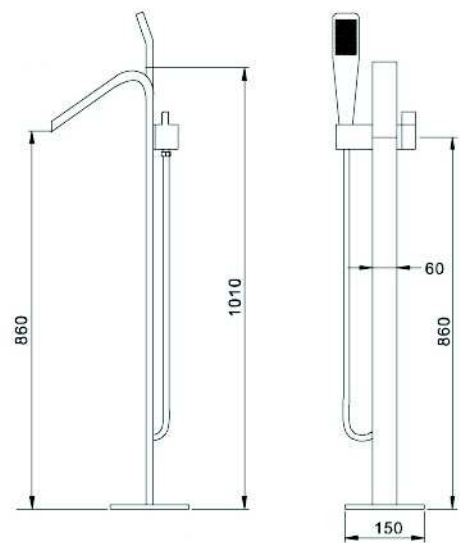
bath shower floor standing mixer





L170203

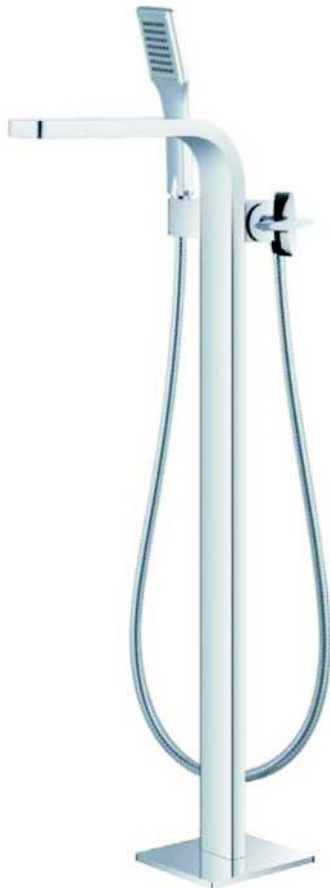
bath shower floor standing mixer



Bathtub Mixer

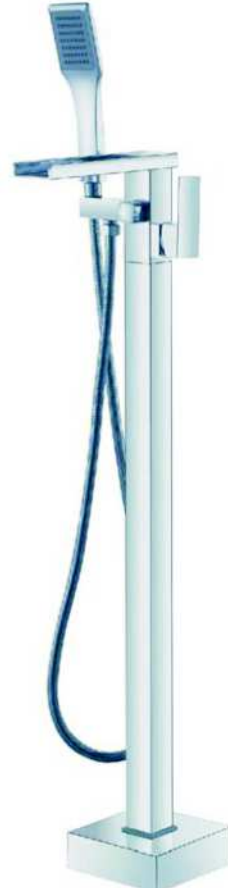
- Shower with ACP air injection technology
- Water saving of up to 30%

- Switch with integrated valve core.
- Bathtub with high flow rate outlet design



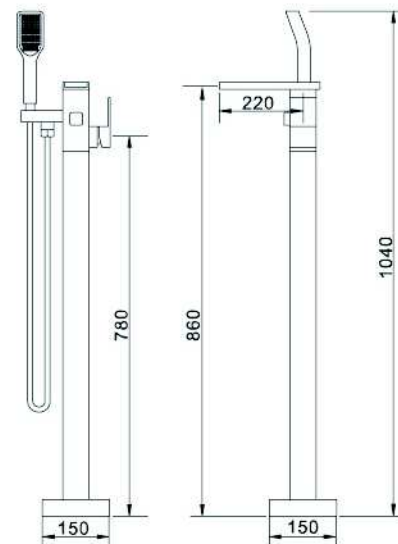
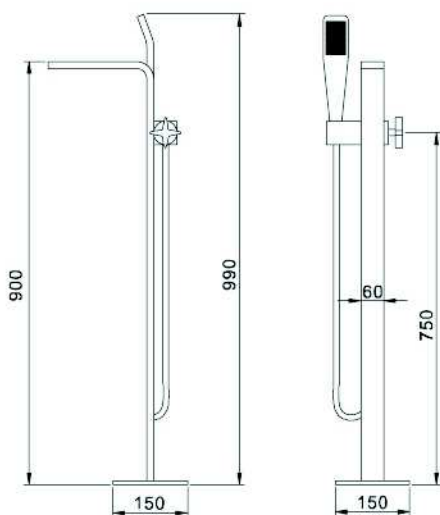
L170204

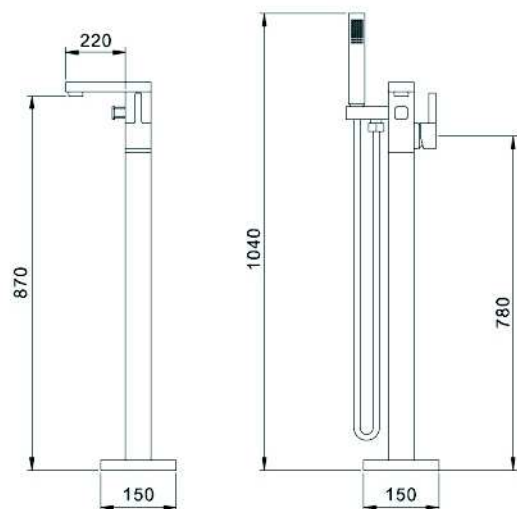
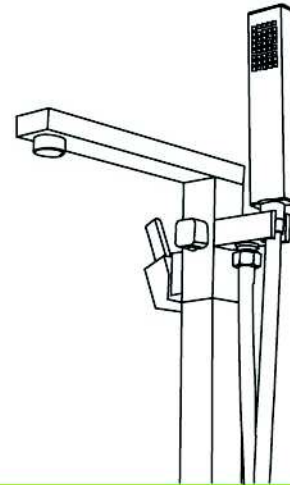
bath shower floor standing mixer



L170205

bath shower floor standing mixer

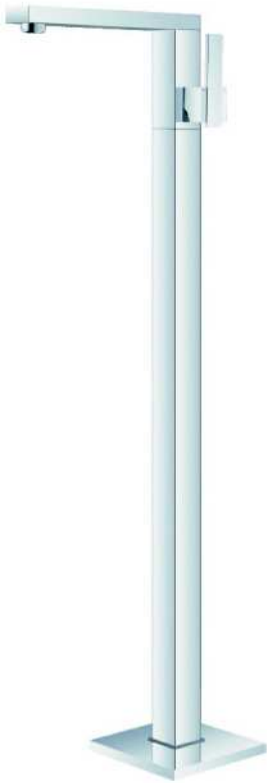




L170206

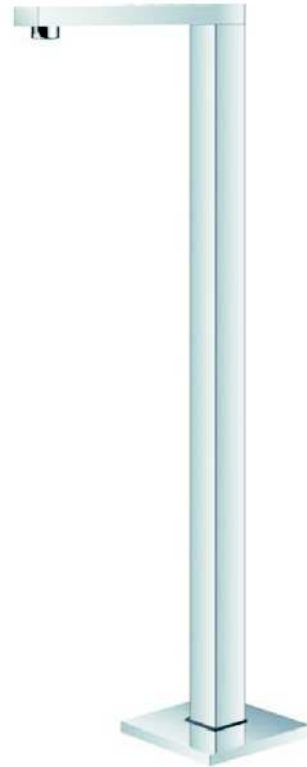
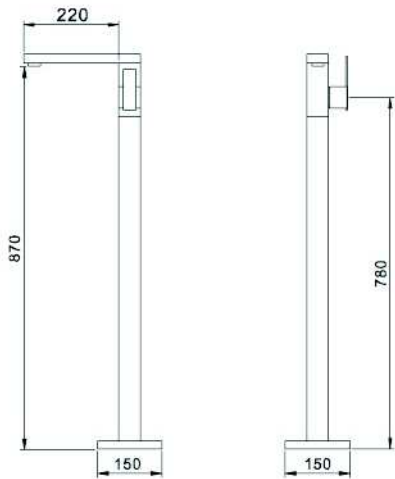
bath shower floor standing mixer

Bathtub Mixer



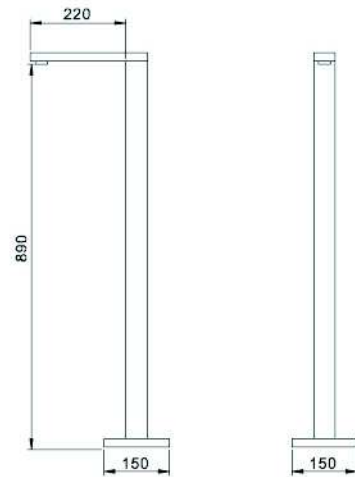
L170207

bath shower floor standing mixer



L170208

bath shower floor standing mixer

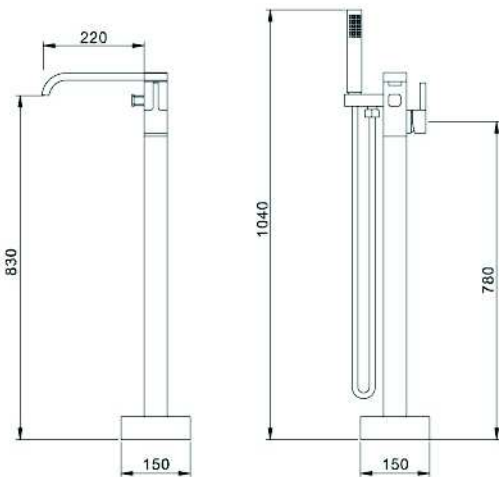


Bathtub Mixer



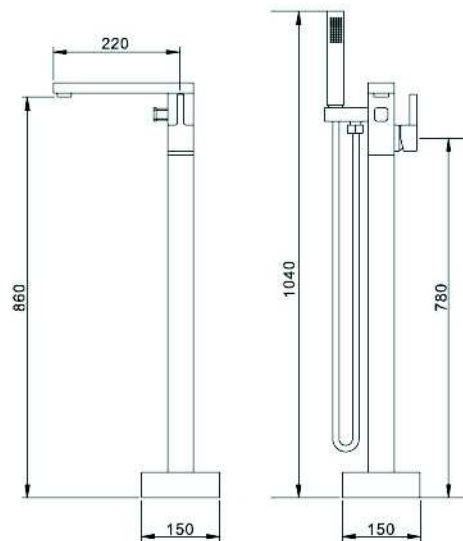
L170209

bath shower floor standing mixer



L170210

bath shower floor standing mixer



Bathtub Mixer



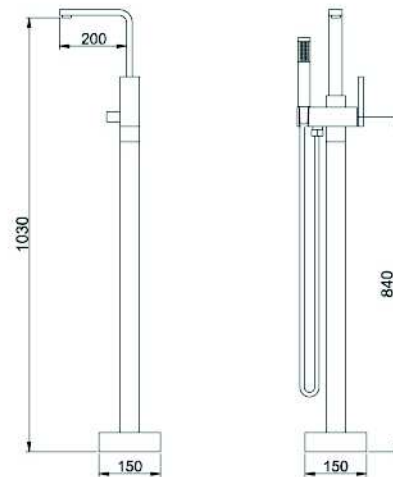
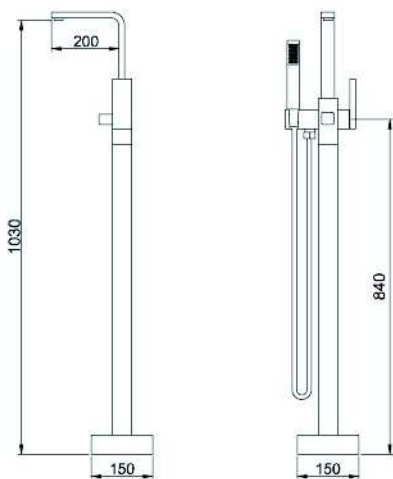
L170211

bath shower floor standing mixer

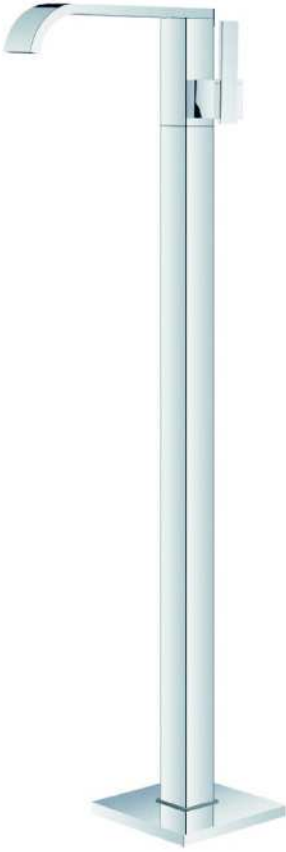


L170212

bath shower floor standing mixer

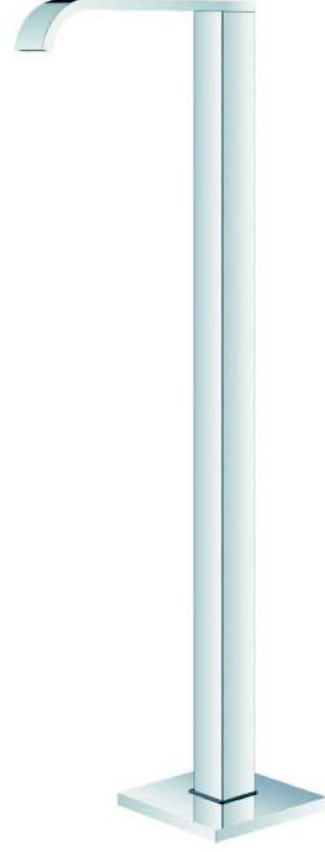
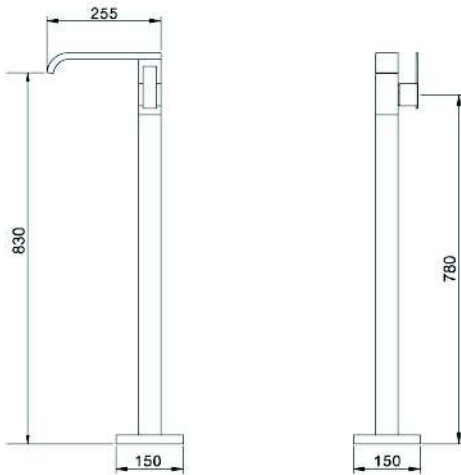


Bathtub Mixer



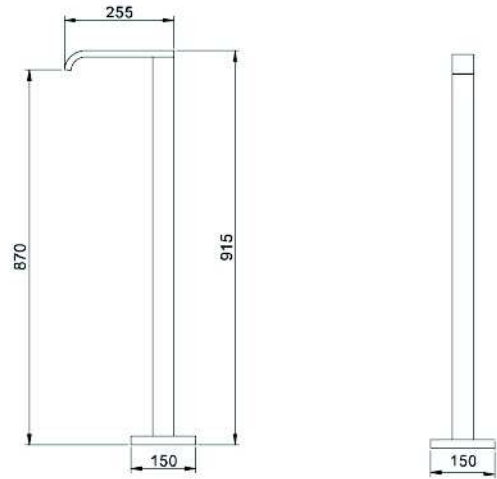
L170213

bath shower floor standing mixer



L170214

bath shower floor standing mixer

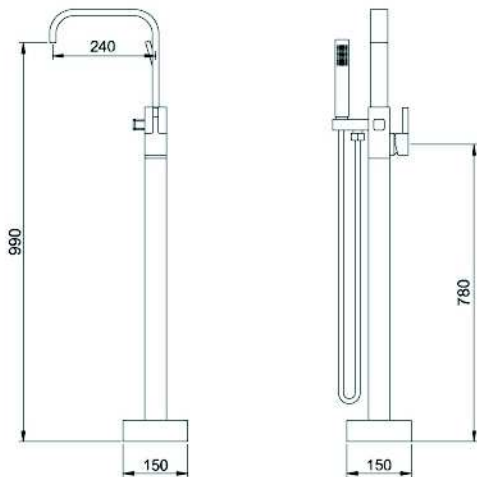


Bathtub Mixer



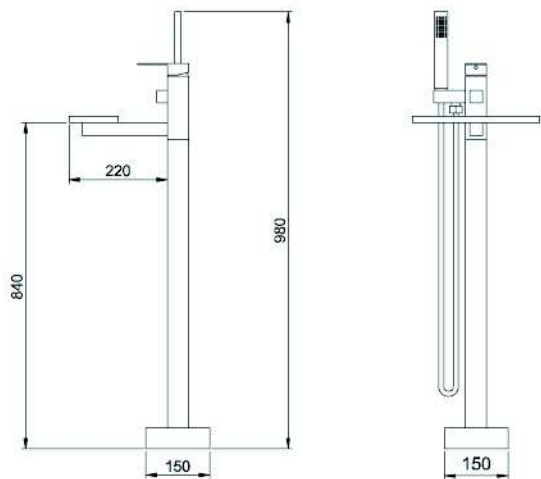
L170215

bath shower floor standing mixer



L170216

bath shower floor standing mixer

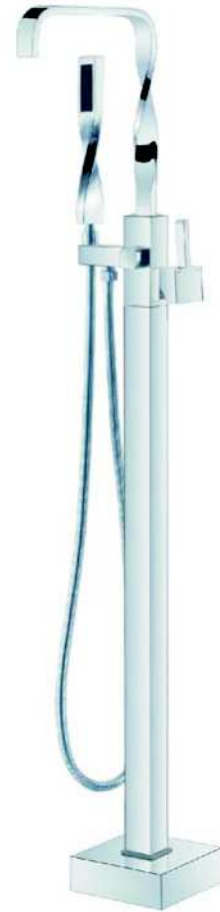


Bathtub Mixer

Beyond the luxurious quality, to the interpretation of Zhang Yang's personality The ideal life.

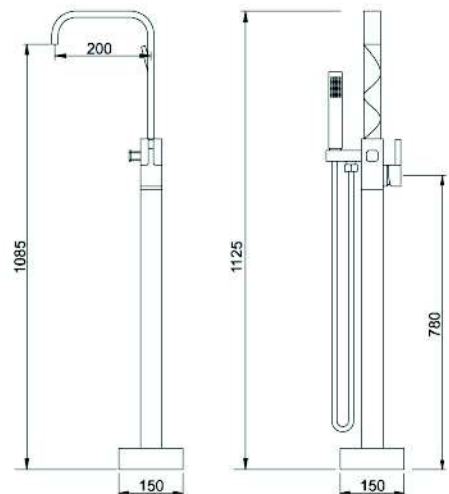


from idea to design, from material to manufacturing, every product is essence of creation through continuous denial to get the best and satisfactory version, every design is perfect—proofing artwork not only just for quality.

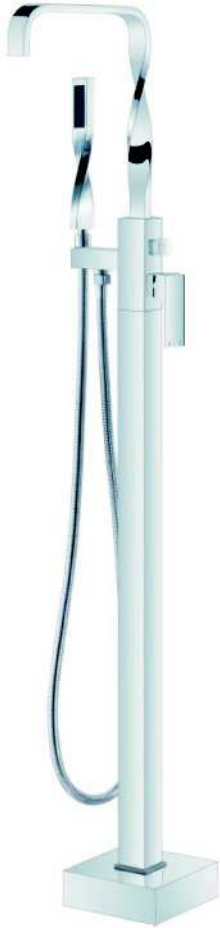


L170217

bath shower floor standing mixer

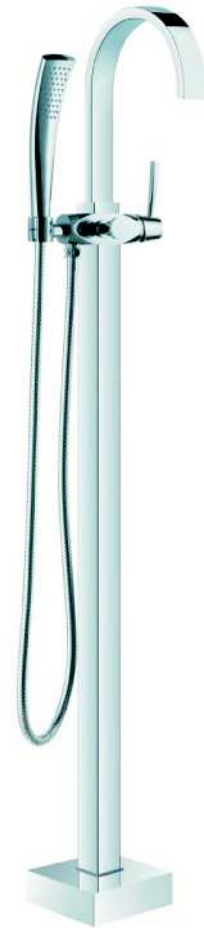


Bathtub Mixer



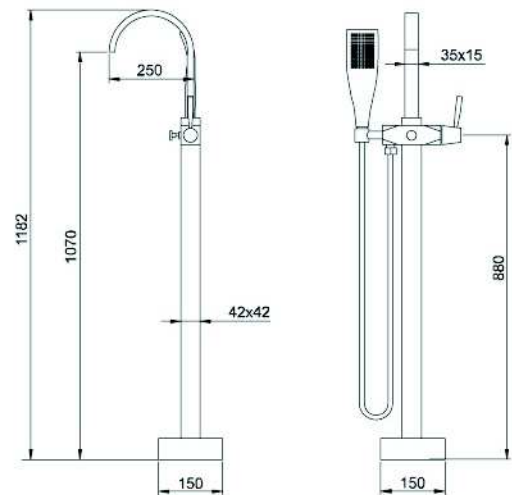
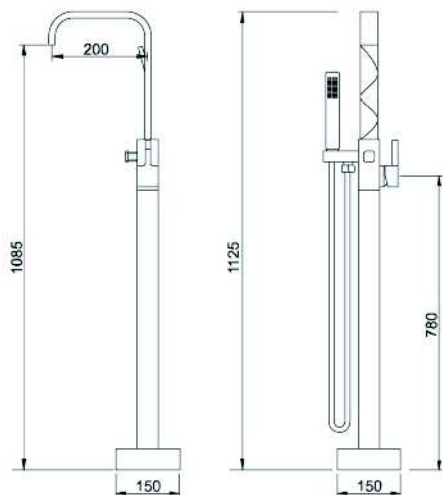
L170218

bath shower floor standing mixer

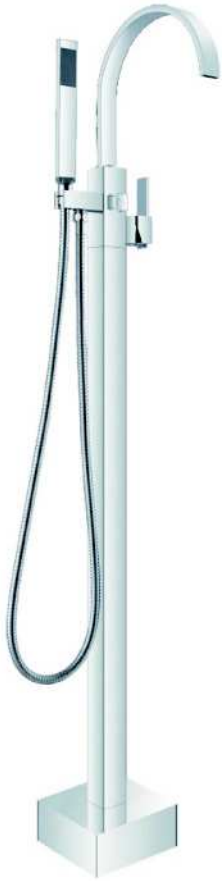


L170219

bath shower floor standing mixer



Bathtub Mixer



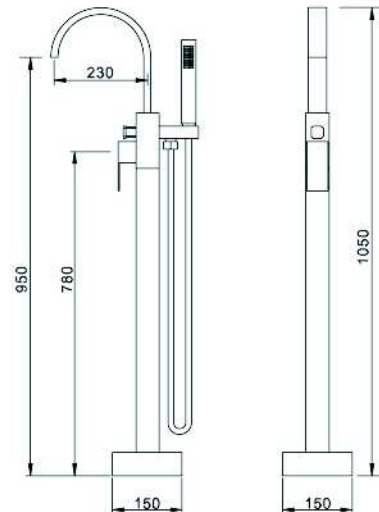
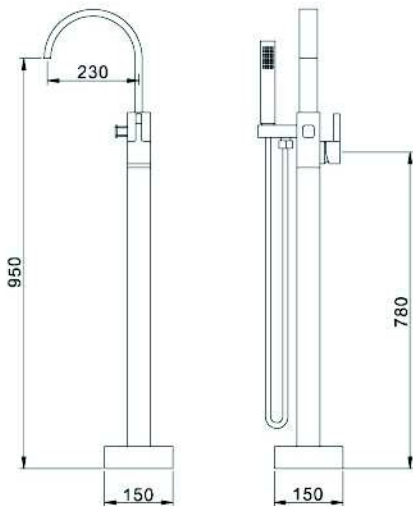
L170220

bath shower floor standing mixer

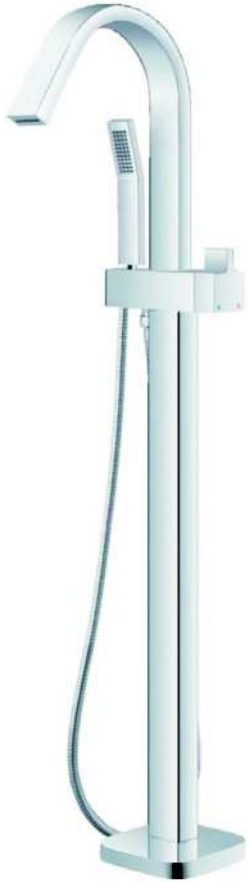


L170221

bath shower floor standing mixer



Bathtub Mixer



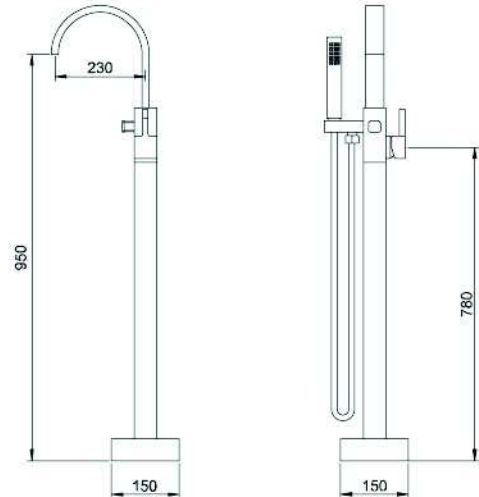
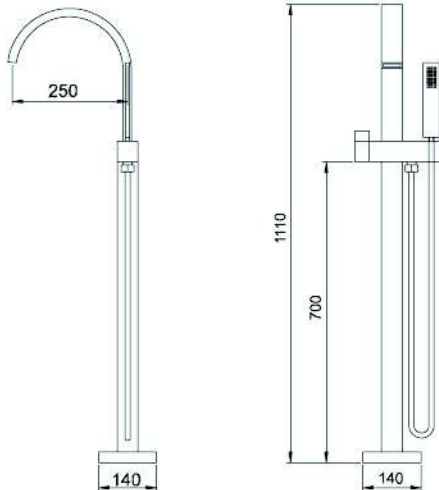
L170222

bath shower floor standing mixer



L170223

bath shower floor standing mixer



Bathtub Mixer



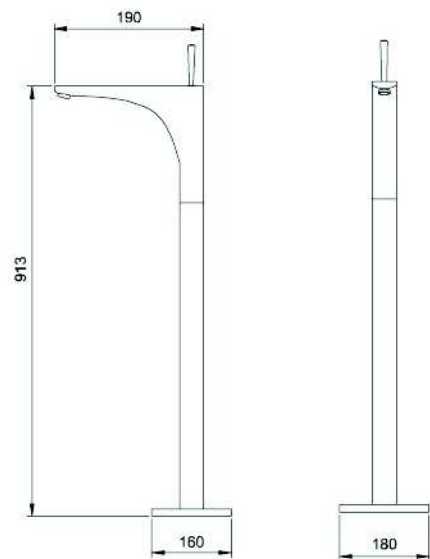
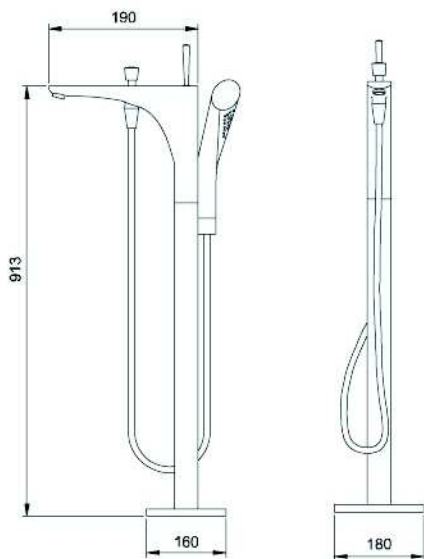
L170224

bath shower floor standing mixer

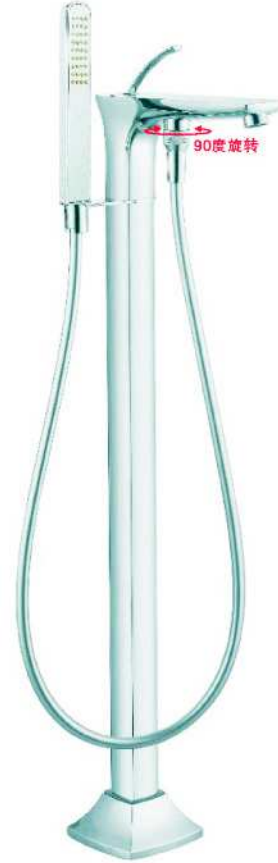


L170225

bath shower floor standing mixer

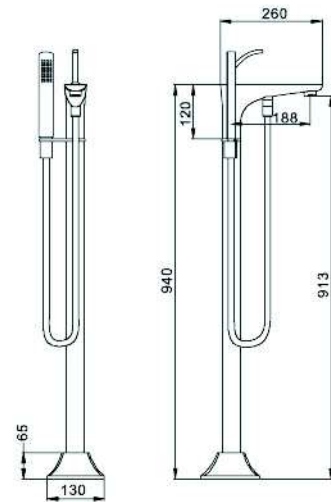


Bathtub Mixer



L170226

bath shower floor standing mixer



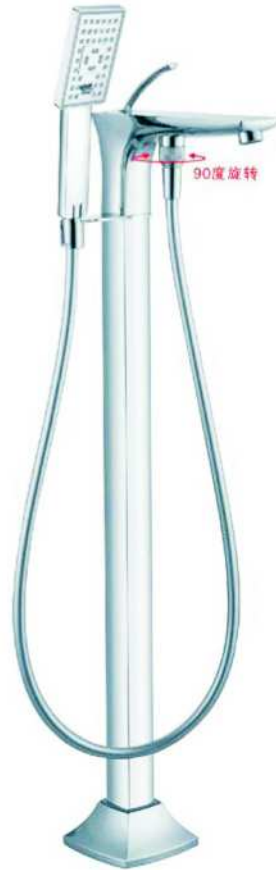


L170227

bath shower floor standing mixer

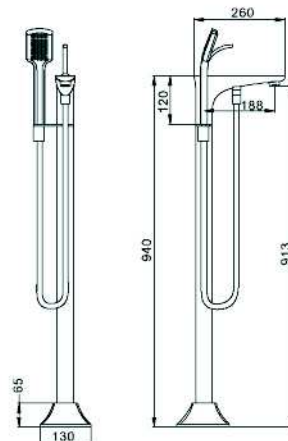
Bathtub Mixer

from idea to design, from material to manufacturing, every product is essence of creation through continuous denial to get the best and satisfactory version, every design is perfect—proving artwork not only just for quality.



L170228

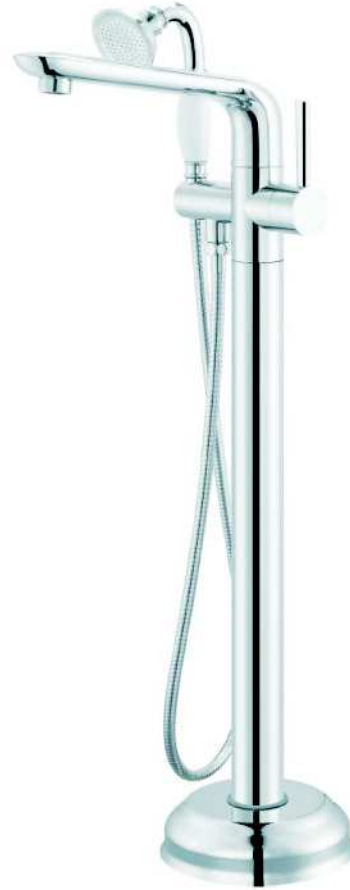
bath shower floor standing mixer



Bathtub Mixer

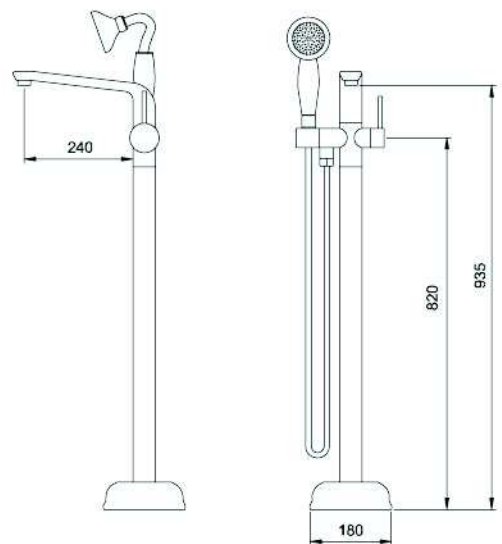


From another perspective, the more let a bright eyes Innovative fashion, more design sense.



L170229

bath shower floor standing mixer

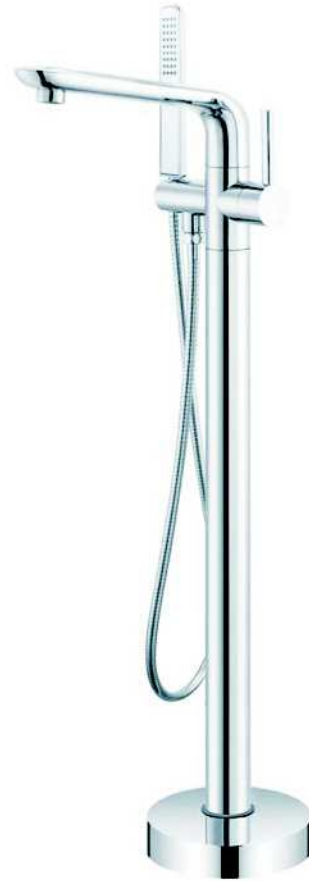
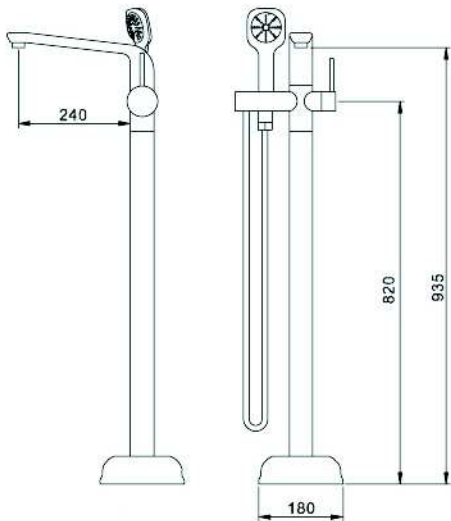


Bathtub Mixer



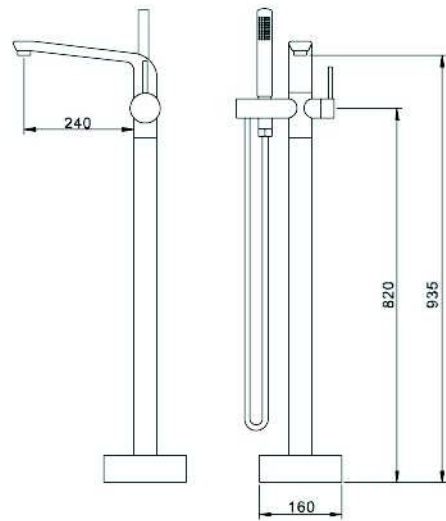
L170230

bath shower floor standing mixer



L170231

bath shower floor standing mixer



Bathtub Mixer



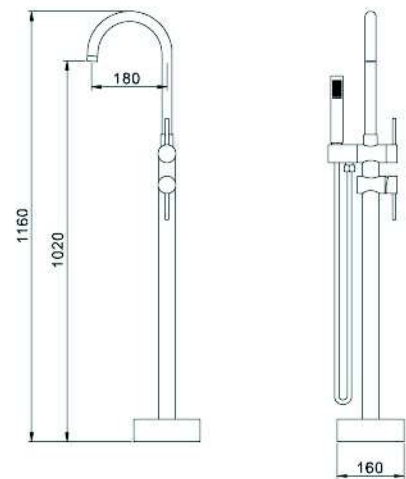
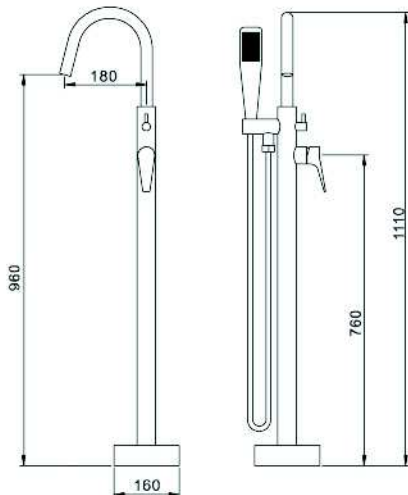
L170232

bath shower floor standing mixer

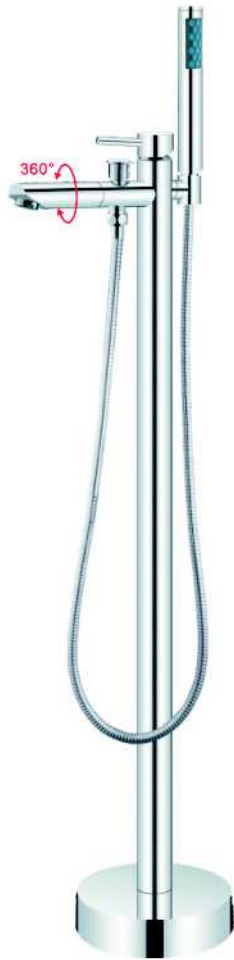


L170233

bath shower floor standing mixer

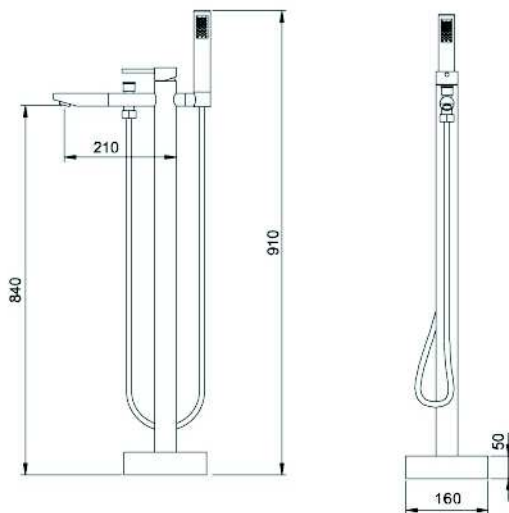


Bathtub Mixer



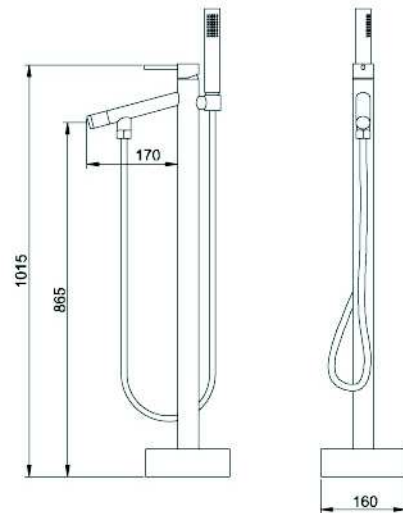
L170234

bath shower floor standing mixer



L170235

bath shower floor standing mixer

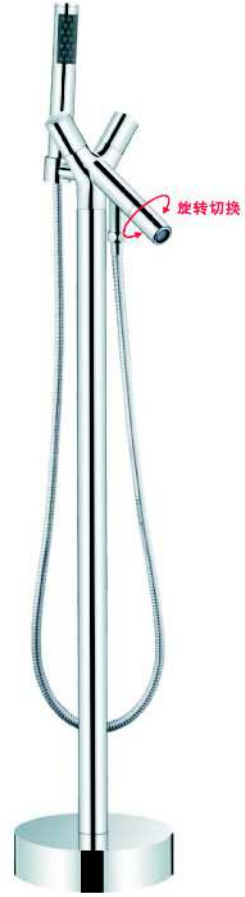


Bathtub Mixer



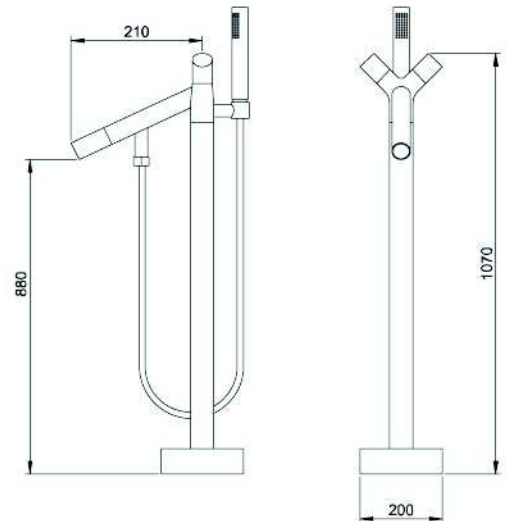
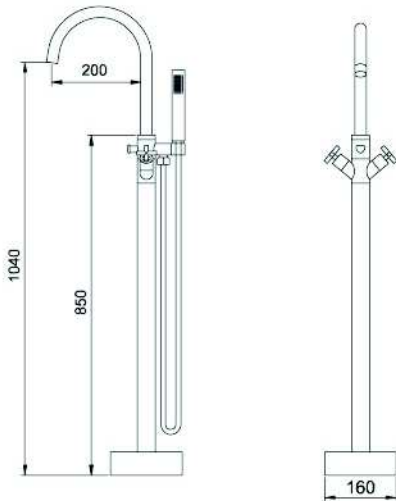
L170236

bath shower floor standing mixer



L170237

bath shower floor standing mixer

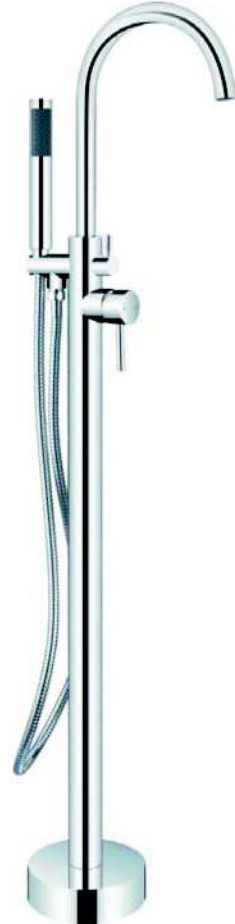
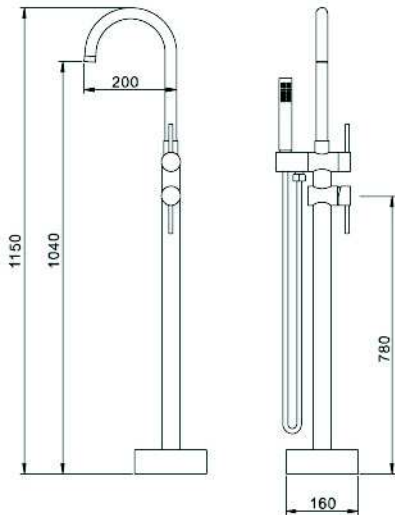


Bathtub Mixer



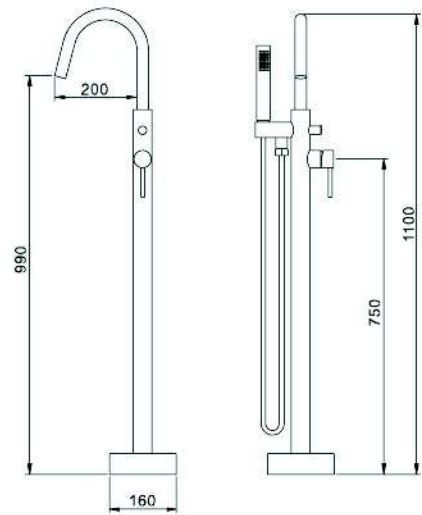
L170238

bath shower floor standing mixer



L170239

bath shower floor standing mixer

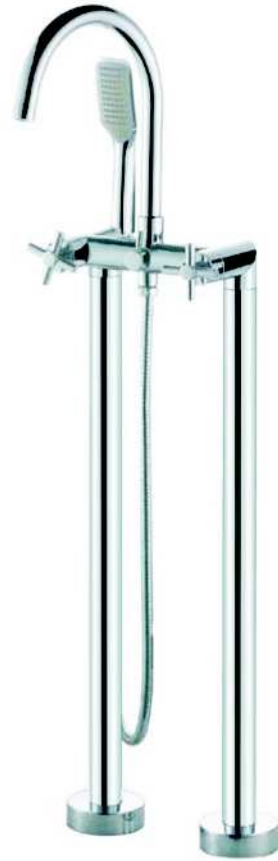
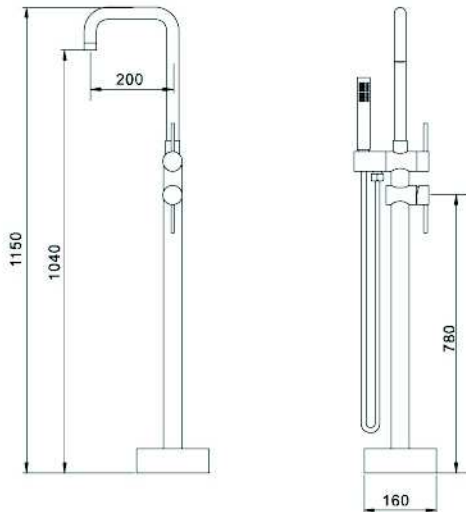


Bathtub Mixer



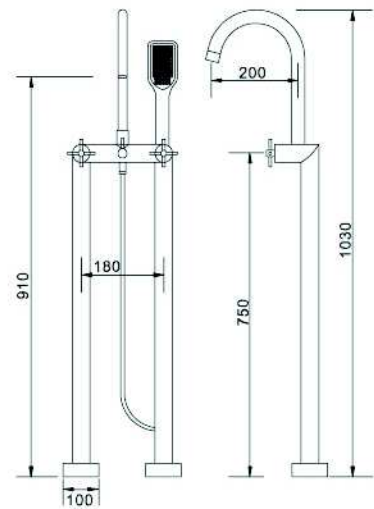
L170240

bath shower floor standing mixer



L170241

bath shower floor standing mixer

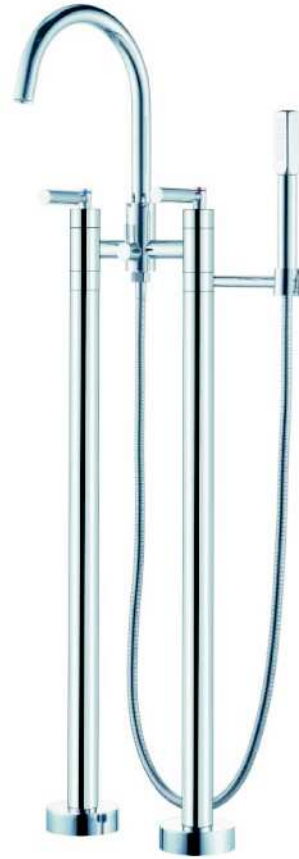


Bathtub Mixer



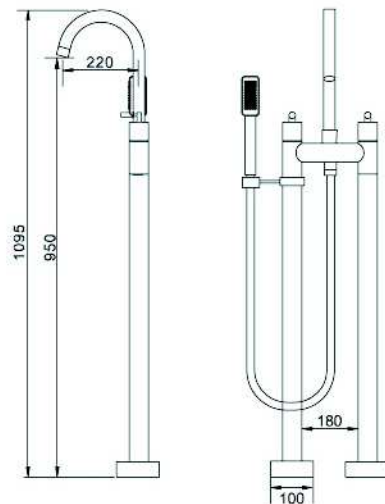
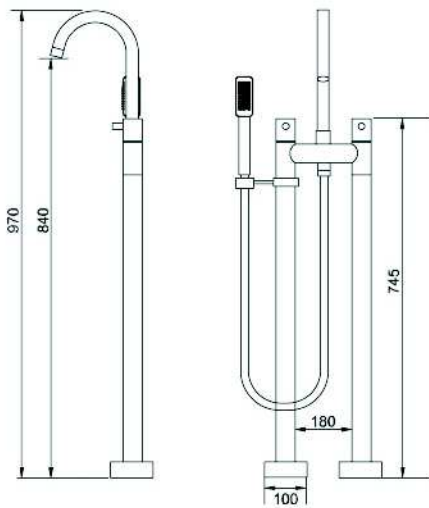
L170242

bath shower floor standing mixer



L170243

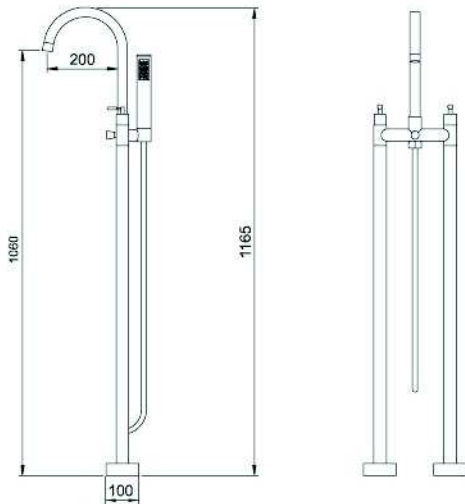
bath shower floor standing mixer





L170244

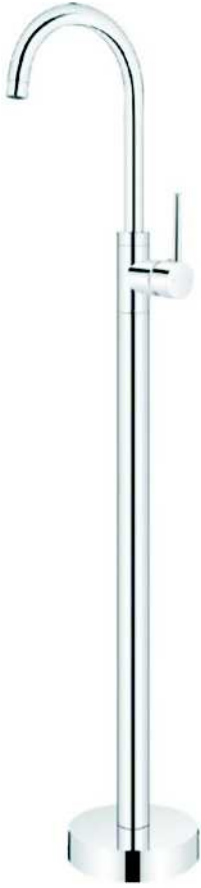
bath shower floor standing mixer



LIGHT GREEN BATHROOM

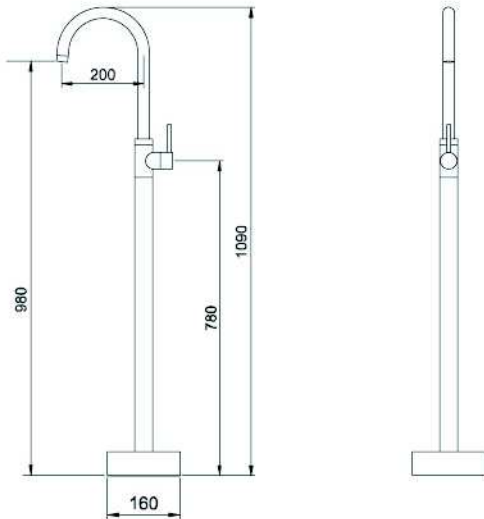
Sends out the vitality of youth, and the breath of spring:
youthful, vigorous and energetic heart, is entering the loving world
of future fairy tales.

亮丽的浴室，送出青春活力，布满春天的气息，锁不住年轻蓬勃活跃的心
跳，对未来的爱情充满童话世界。



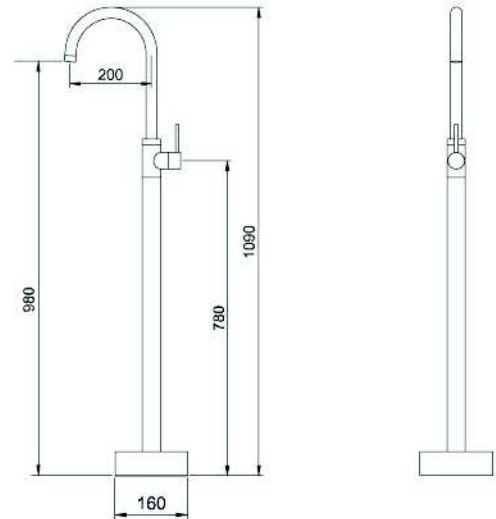
L170245

bath shower floor standing mixer



L170246

bath shower floor standing mixer



Bathtub Mixer



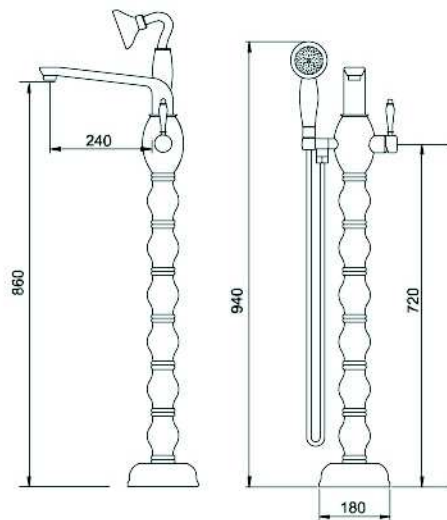
L170247

bath shower floor standing mixer

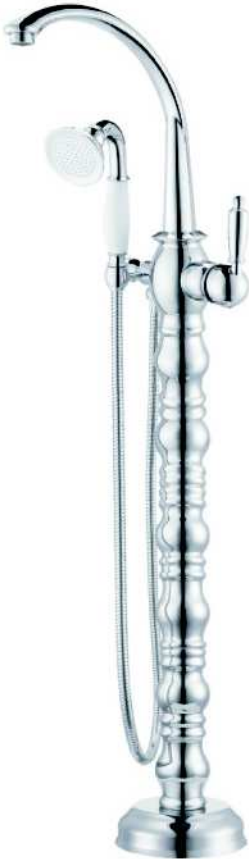


L170248

bath shower floor standing mixer



Bathtub Mixer



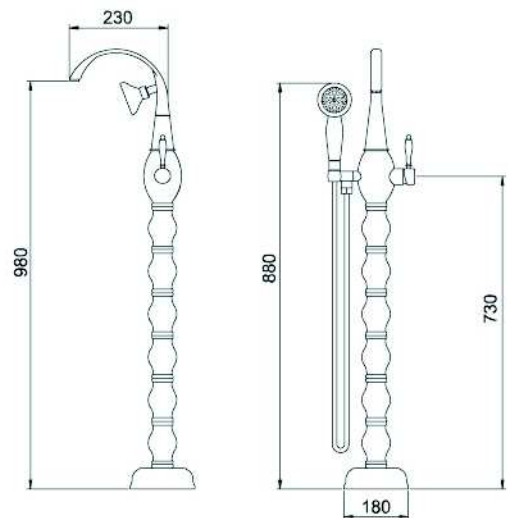
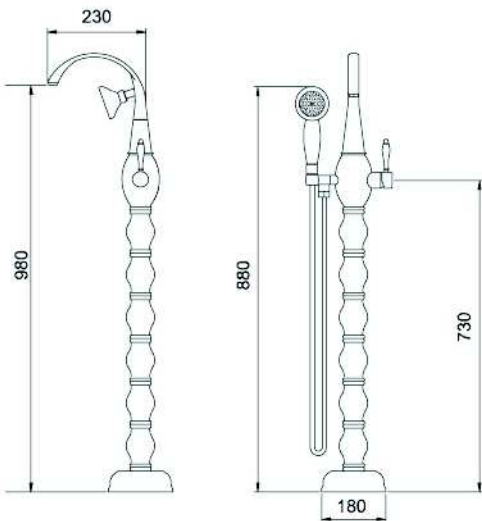
L170249

bath shower floor standing mixer

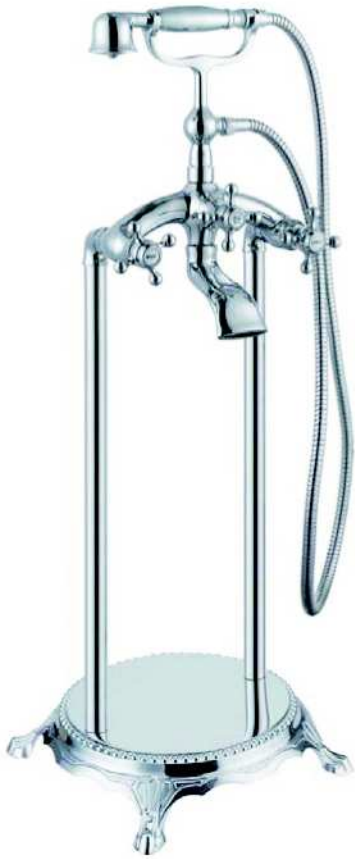


L170250

bath shower floor standing mixer

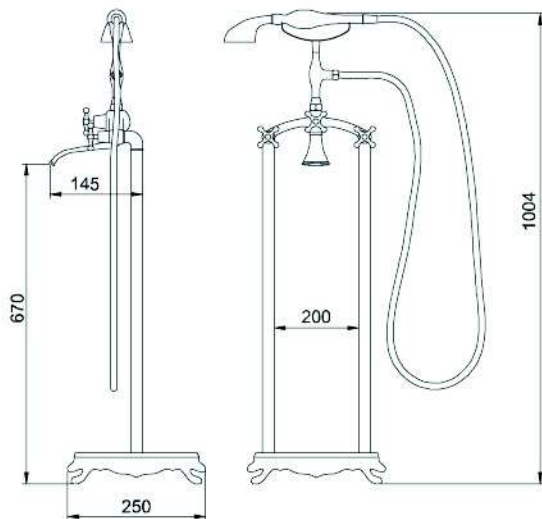


Bathtub Mixer



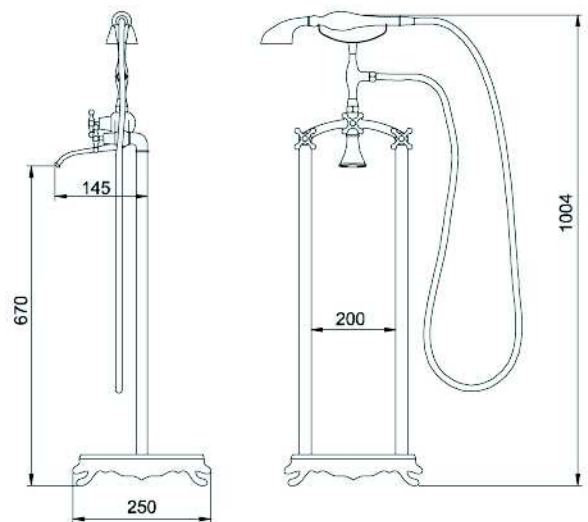
L170251

bath shower floor standing mixer



L170252

bath shower floor standing mixer

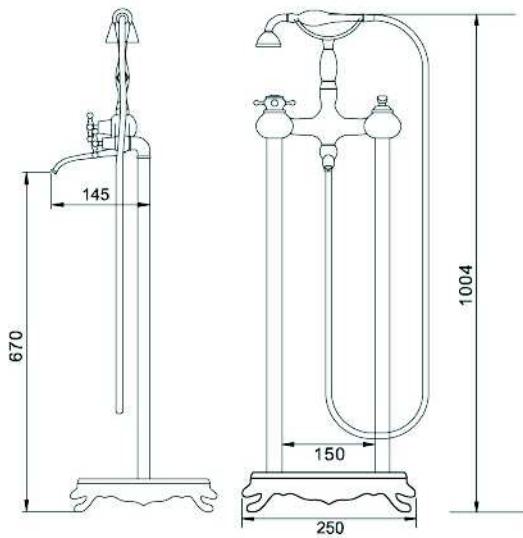


Bathtub Mixer



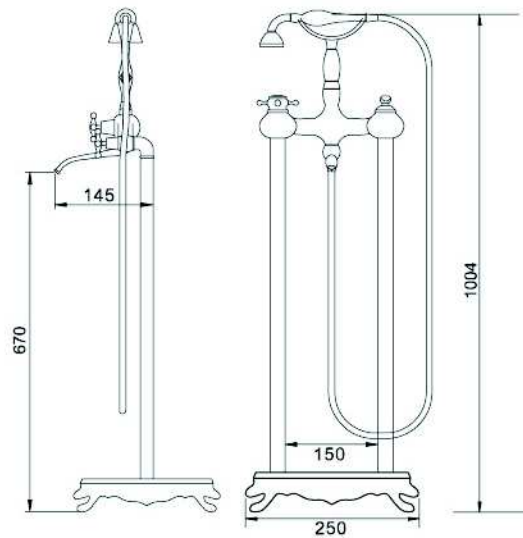
L170253

bath shower floor standing mixer

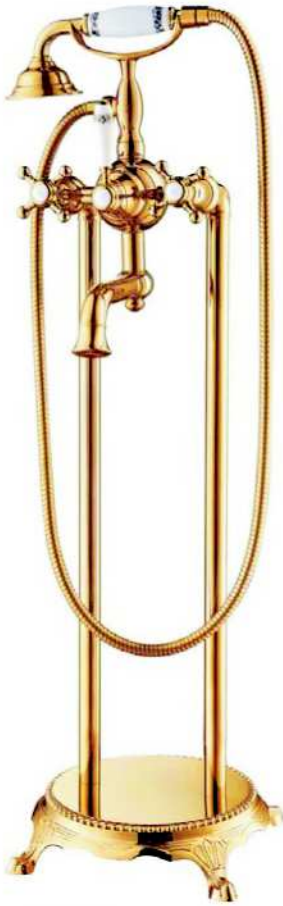


L170254

bath shower floor standing mixer

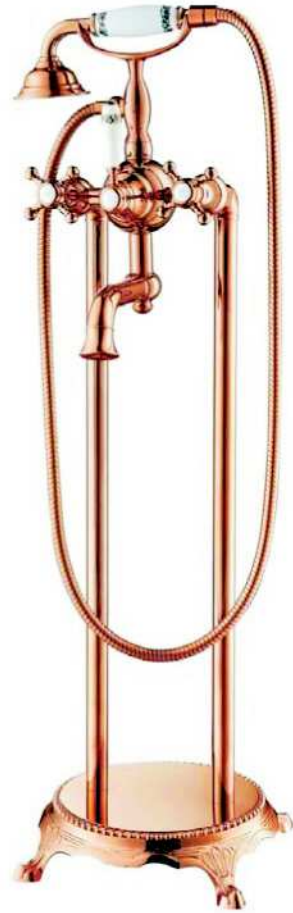


Bathtub Mixer



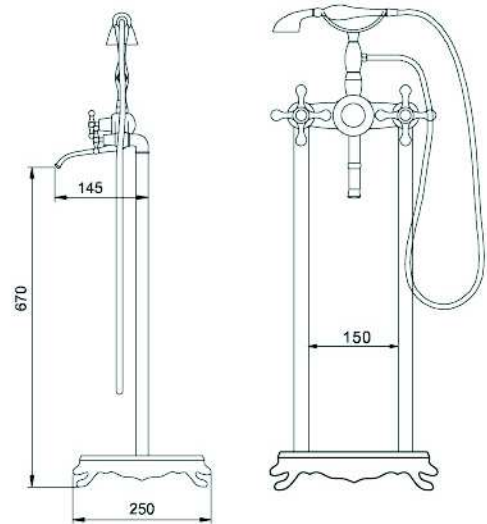
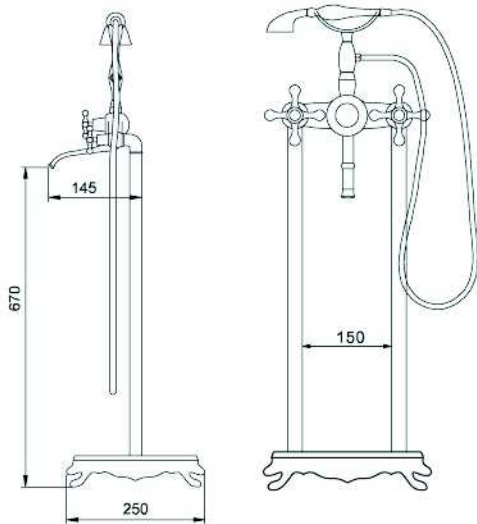
L170255

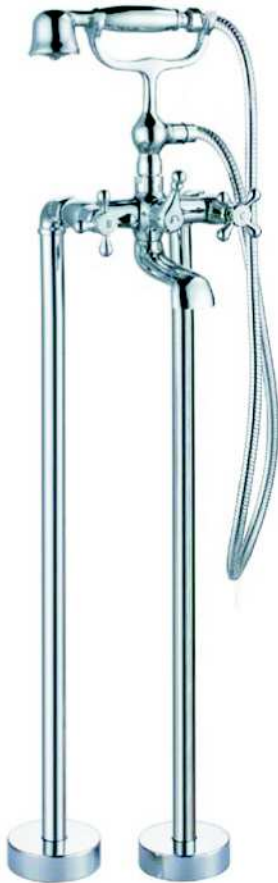
bath shower floor standing mixer



L170256

bath shower floor standing mixer





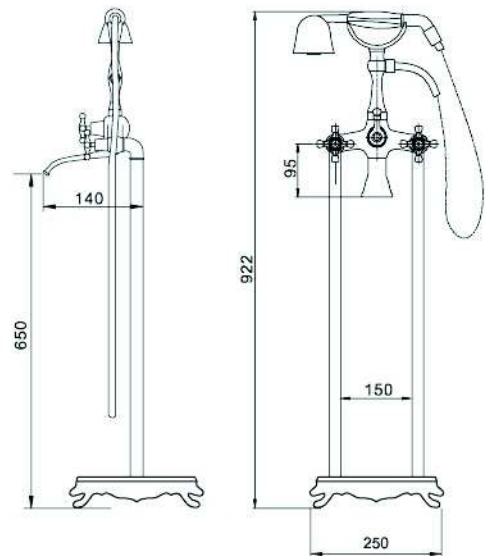
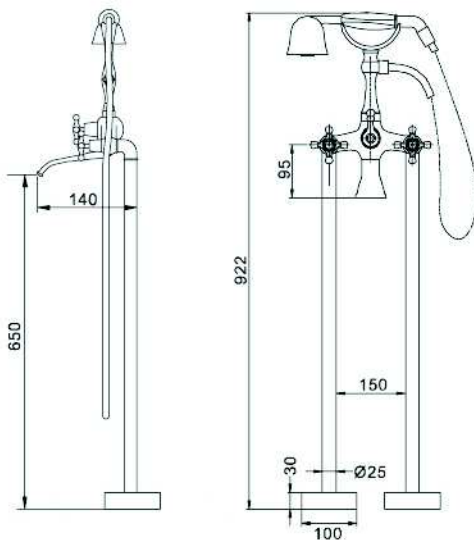
L170257

bath shower floor standing mixer



L170258

bath shower floor standing mixer

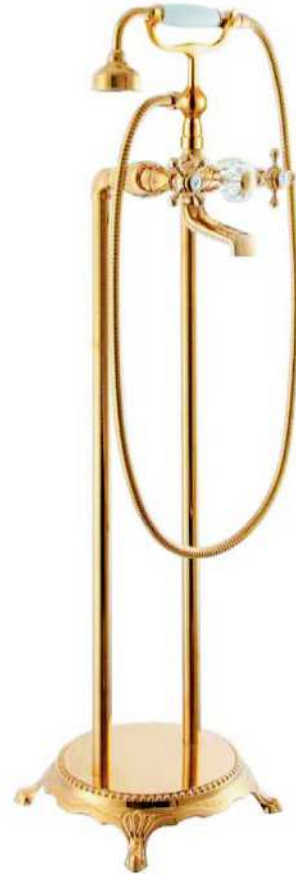
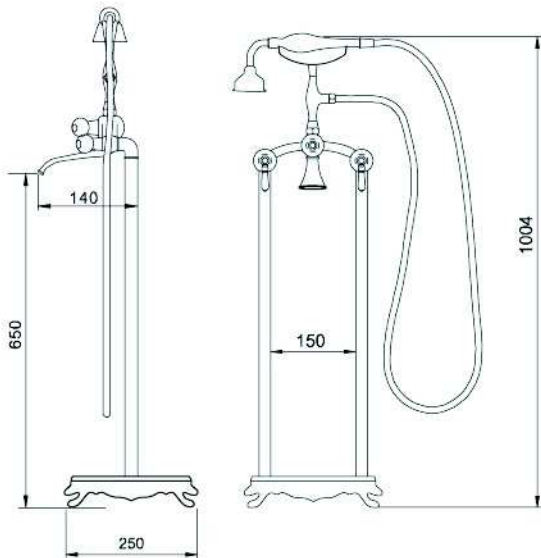


Bathtub Mixer



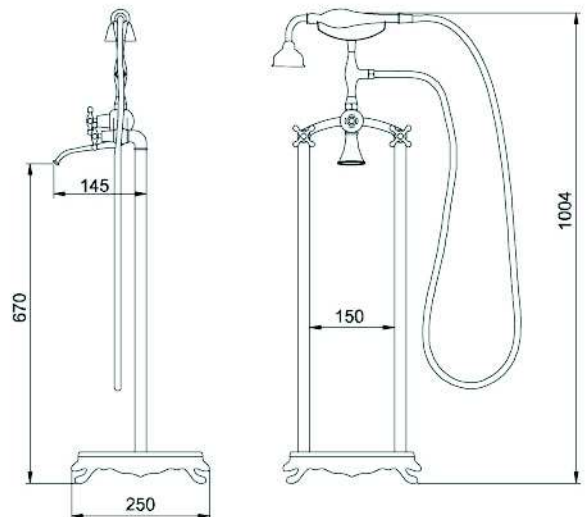
L170259

bath shower floor standing mixer



L170260

bath shower floor standing mixer





中心距: 200mm

L170261

bath shower floor standing mixer



中心距: 200mm

L170262

bath shower floor standing mixer



中心距: 150mm

L170263

bath shower floor standing mixer



中心距: 150mm

L170264

bath shower floor standing mixer



L170265

bath shower floor standing mixer



L170266

bath shower floor standing mixer



L170267

bath shower floor standing mixer



L170268

bath shower floor standing mixer

Bathtub Mixer



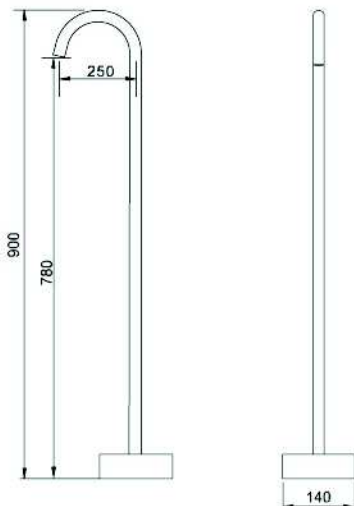
L170269

bath shower floor standing mixer



L170270

bath shower floor standing mixer



L170271

bath shower floor standing mixer

Bathtub Mixer



L170272

3-hole basin mixer



L170273

5-hole bathtub mixer



L170274

3-hole basin mixer



L170275

5-hole bathtub mixer



L170276

4-hole bathtub mixer





NINGBO YINZHOU VICLION ELECTRIC CO., LTD.

- Add.:No.128 JinTong Rd., Xin Cheng Village, WuXiang Industrial District, YinZhou, NingBo,315111, China.
- TEL: 0086-574-87720528, 87977001
- FAX: 0086-574-87721358, 87721328
- M.T.: 0086-13505742372
- E-mail: fangwang832@126.com
fangwang@mail.nbptt.zj.cn
- Http://www.viclion.cn