



NINGBO YINZHOU VICLION ELECTRIC CO., LTD.

Add: No.128 JinTong Rd.,XinCheng Village, WuXiang Industrial District, YinZhou, NingBo, 315111 P.R. Of China.

TEL: 0086-574-87720528, 87977001

FAX: 0086-574-87721358, 87721328

M.T.: 0086-13505742372

E-mail: fangwang832@126.com

Web site:www.viclion.cn

NINGBO YINZHOU VICLION ELECTRIC CO., LTD.

[HTTP://WWW.VICLION.CN](http://www.viclion.cn)



【Company Introduction】

宁波市鄞州胜狮电器科技有限公司，座落在宁波东部五乡工业园区，与绕城高速丁家山入口距离仅500米左右，交通便利，329国道和通途路均可到达我司，工厂占地面积8500平方米，车间面积9000平方米。

本厂工作作风严谨，对产品质量要求精益求精，车间设有注塑车间及五金车间、电机装配车间等，主要产品为塑料件、五金件、电机及卫浴配件，产品远销欧美市场，本厂崇尚以质量求生存，以价格竞市场，顾客至上的目标。是合作创业的好伙伴，热诚欢迎海内外客商来函来电洽谈，共谋发展。

Ningbo Yinzhou Viclion Electric Co.,Ltd locates in the east of NINGBO city. Factory owns 8,500 square meters lands and workshop is with 9,000 square meters. In our factory, we mainly produce the plastic parts, metal parts and motor blowers for the cooling and heating and ventilation equipments. Meanwhile we manufacture the parts for sanitary such as the shower head, hand shower etc. It is more than 24 years since we have been in this field of business. We pay more attention on the quality of product. Our main business action is with European country, north America, middle east and south America. We are able to develop the products in according to our client's requirements or samples. Sincerely we welcome your visiting and want to be your business partner in the coming days.



CONTENTS

MIXER SERIES 190101	P1
MIXER SERIES 190102	P2
MIXER SERIES 190103	P3
MIXER SERIES 190104	P4
MIXER SERIES 190105	P5
MIXER SERIES 190108	P6
MIXER SERIES 190109	P7
MIXER SERIES 190110	P8
MIXER SERIES 190111	P9
MIXER SERIES 190112	P10
MIXER SERIES 190113	P11
MIXER SERIES 190114	P12
MIXER SERIES 190115	P13
KITCHEN MIXER	P14-22
THERMOSTATIC MIXER	P23-24
SHOWER COLUMN	P25-31
IN BUILT MIXER SET	P32-33
SLIDER RAIL BAR	P34
SHOWER HEAD	P35-36
SHOWER HEAD & HAND SHOWER	P37-39



NINGBO YINZHOU VICLION ELECTRIC CO., LTD.

Add: No.128 JinTong Rd.,XinCheng Village, WuXiang Industrial District,YinZhou
NingBo, 315111 P.R.China.

Responsible Person: Ms. Wang Fang

TEL: 0086-574-87720528,87977001

E-mail: fangwang832@126.com,

M.T.: 0086-13505742372

FAX: 0086-574-87721328

2019年3月印刷

NOTE



MIXER

190101 Series D.35mm



19010100



19010105



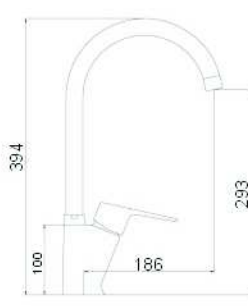
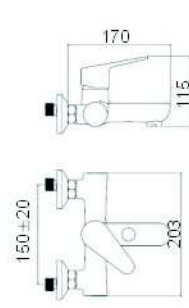
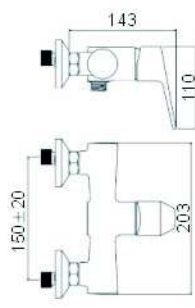
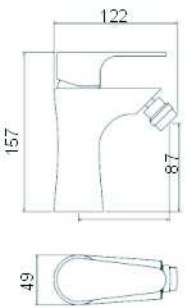
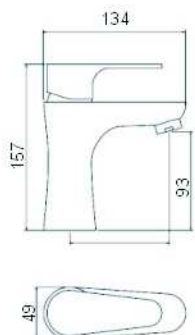
19010120



19010110



19010140

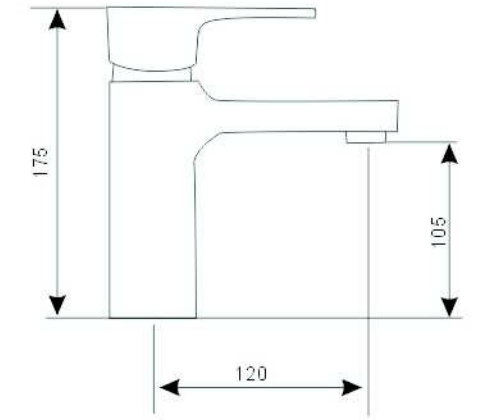


MIXER

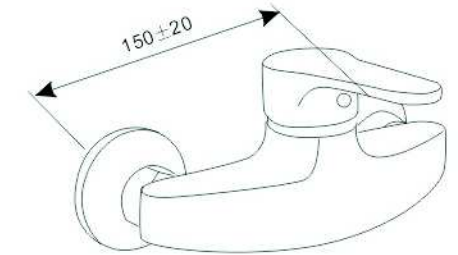
190102 Series D.40mm



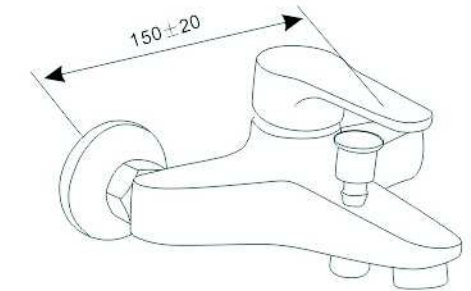
19010200



19010220



19010210



190103 Series D.35mm



19010300



19010340-1



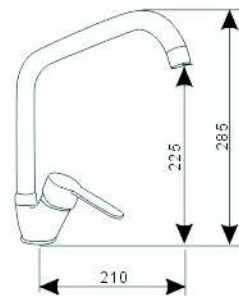
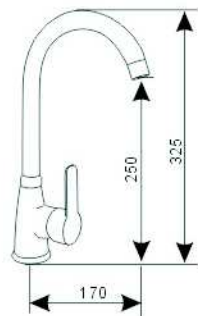
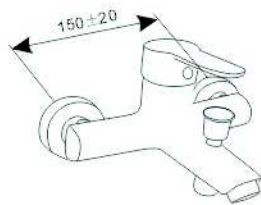
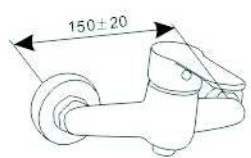
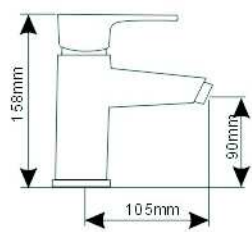
19010320



19010310



19010340-2



190104 Series D.40mm



19010400



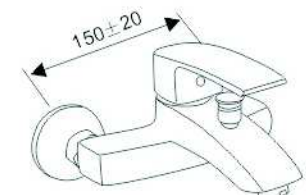
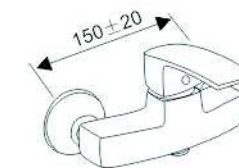
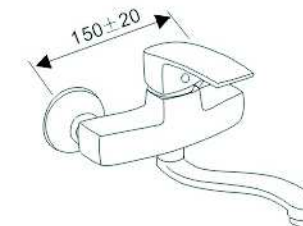
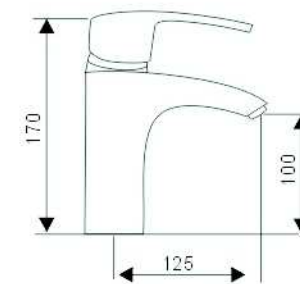
19010430



19010420



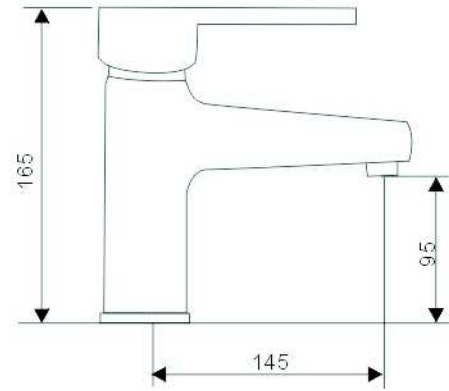
19010410



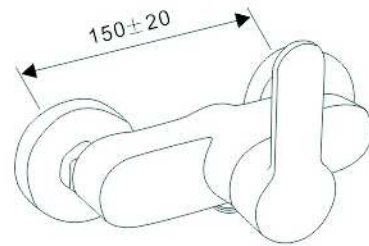
190105 Series D.40mm



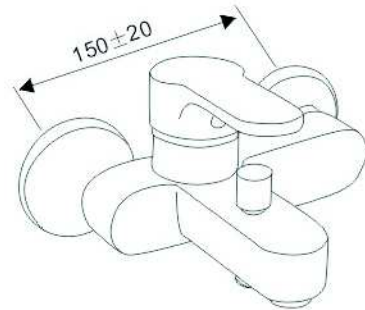
19010500



19010520



19010510



190108 Series D.35mm



19010800



19010805



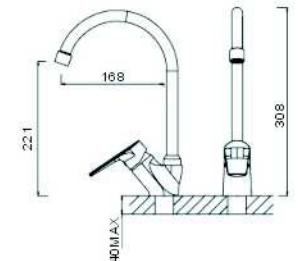
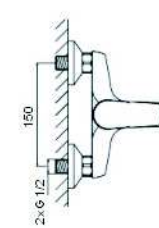
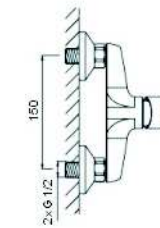
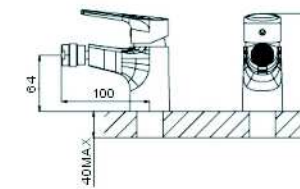
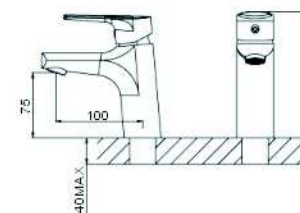
19010820



19010840



19010810





MIXER

190109 Series D.35mm



19010900



19010905



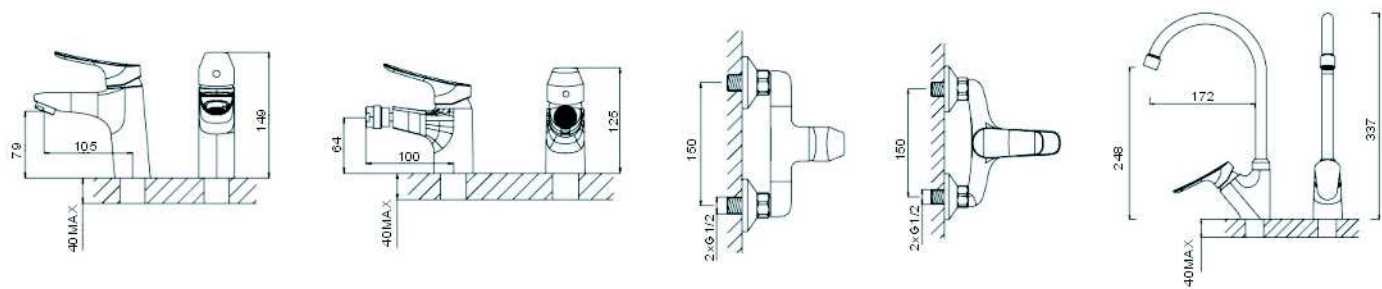
19010920



19010940



19010910



MIXER

190110 Series D.35mm



19011000



19011005



19011020



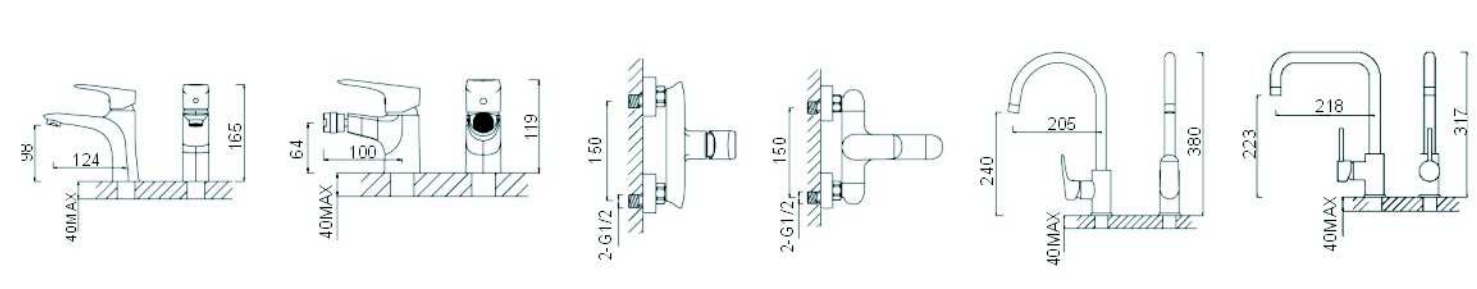
19011040-1



19011010



19011040-2





MIXER

190111 Series D.35mm



19011100



19011105



19011101



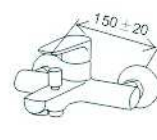
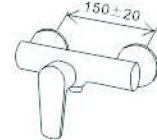
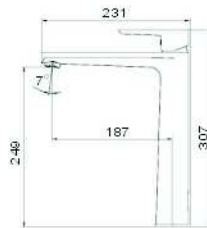
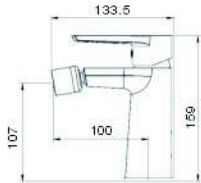
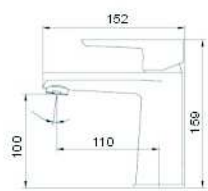
19011120



19011110



19011140



MIXER

190112 Series D.35mm



19011200



19011205



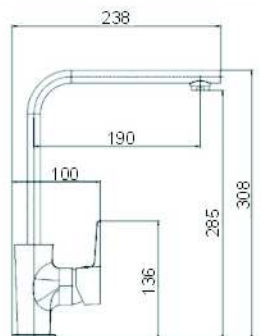
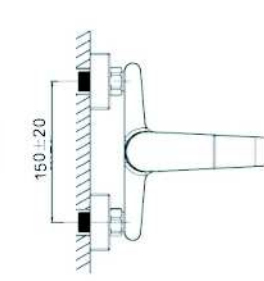
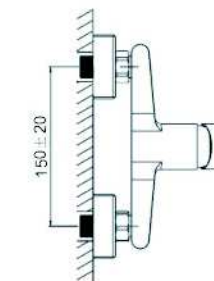
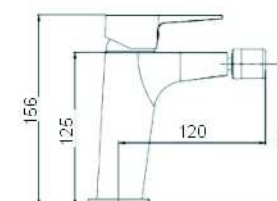
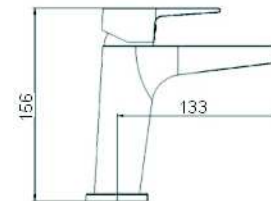
19011220



19011210



19011240



190113 Series D.35mm



19011300



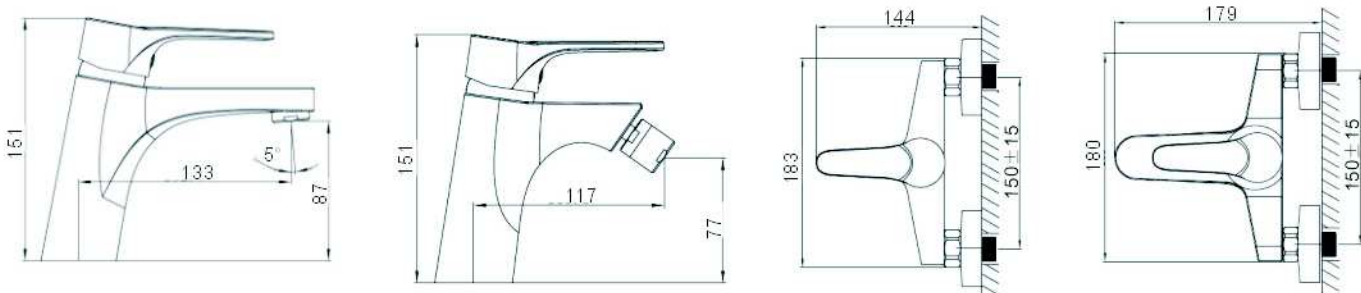
19011305



19011320



19011310



190114 Series D.40mm



19011400



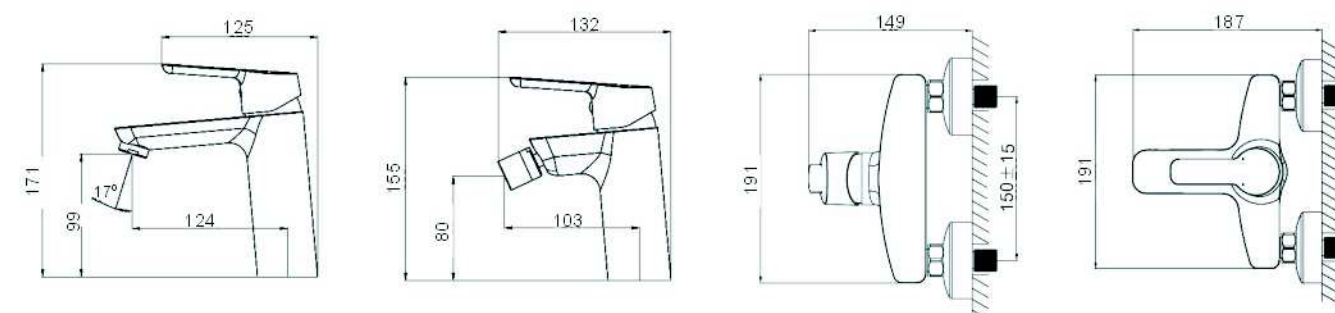
19011405



19011420



19011410





MIXER

190115 Series D.25mm



19011500



19011505



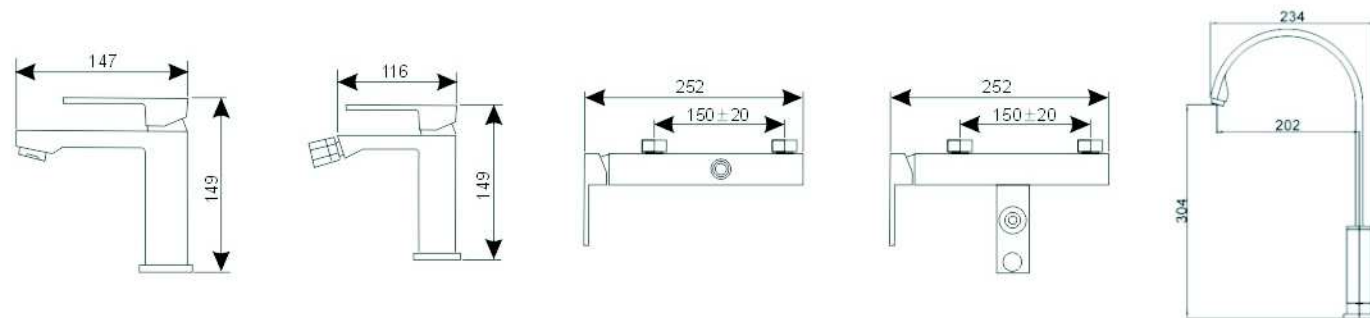
19011520



19011510



19011540



KITCHEN MIXER

D.25mm



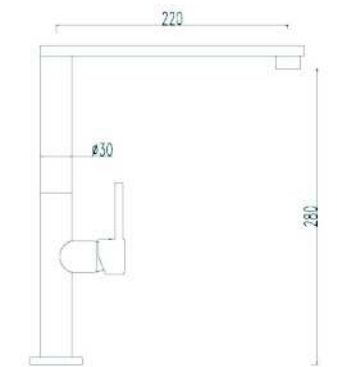
KQQ1631
Chromed



KQQ1631
Black Painted



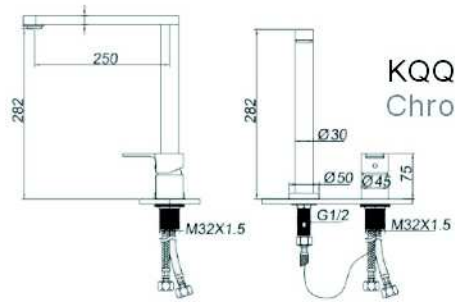
KQQ1631
Zirconium Gold



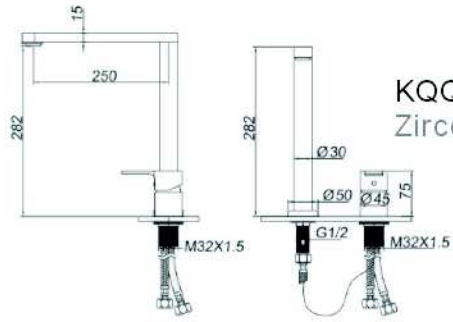
Finish: Chromed, Black-Orb, Black-Painted, Gun Black (Brush), Brushed Nickel, Zirconium Gold, Rose Gold are available

(2019 CATA. P.37)

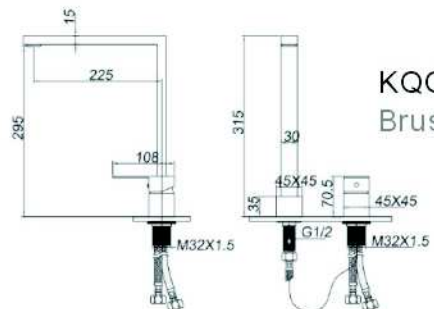
D.35mm



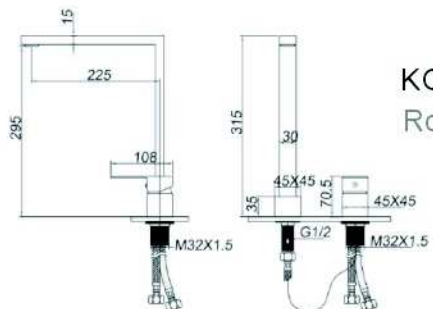
KQQ190101
Chromed



KQQ190101
Zirconium Gold

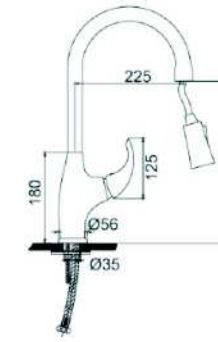


KQQ190103
Brushed Nickel

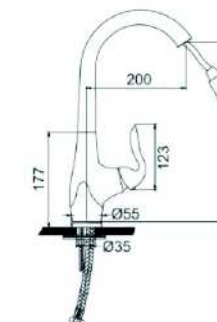


KQQ190103
Rose Gold

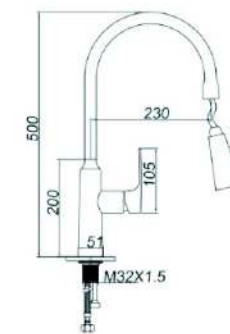
Finish: Chromed, Black-Orb, Black-Painted, Gun Black(Brush), Brushed Nickel, Zirconium Gold, Rose Gold are available



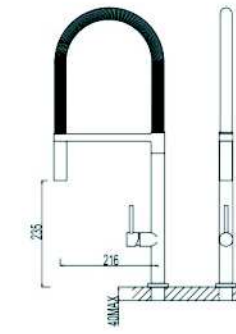
KQQ190111
D.40mm
Pull-out Sink Mixer



KQQ190110
D.40mm
Pull-out Sink Mixer

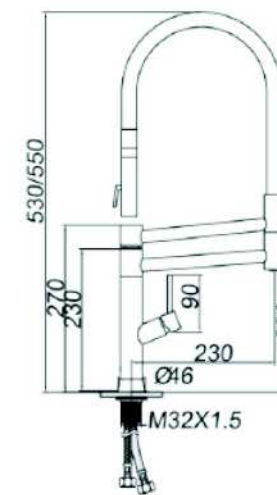


KQQ190117
D.35mm
Pull-out Sink Mixer



KQQ190134
D.25mm

Pull-out Sink Mixer D.35mm



KQQ190113
D.25mm

D.35mm



KQQ190128
Pull-out Sink Mixer



KQQ190129
Pull-out Sink Mixer



KQQ190114



KQQ190115

D.35mm



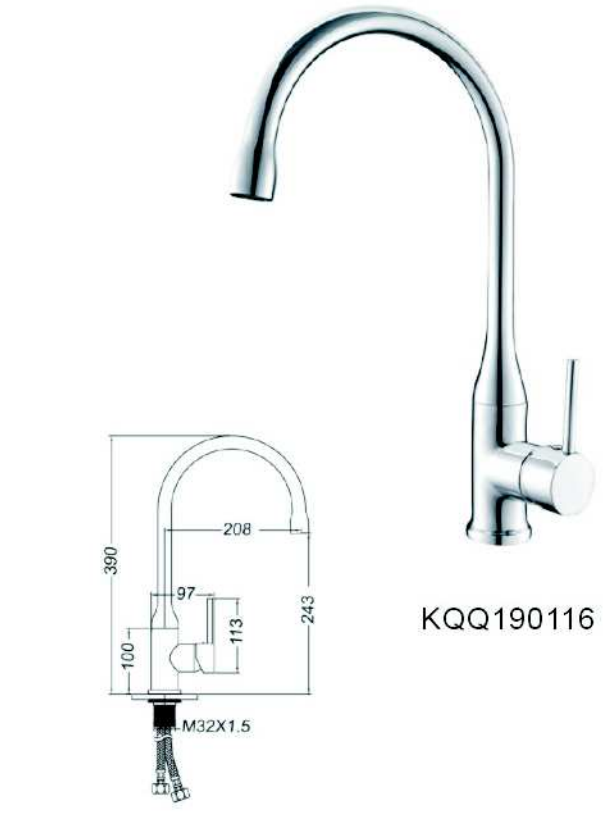
KQQ190118



KQQ190119



KQQ190120



KQQ190116

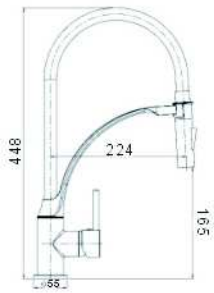


KITCHEN MIXER

D.35mm

COLOR TABLE

red	yellow	grey	blue	pink	purple
black	mocca	creme	green	white	



KQQ190140

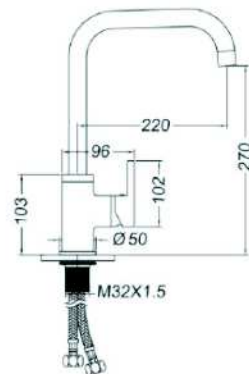
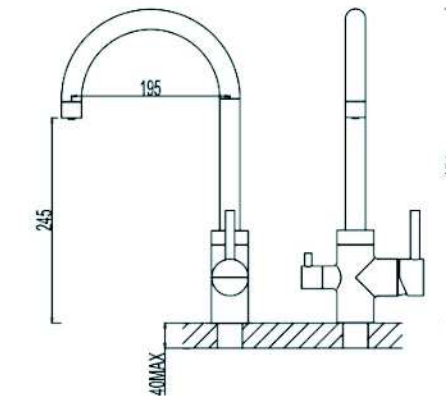


KITCHEN MIXER

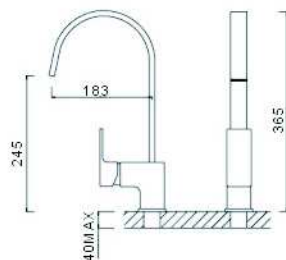
Pure Water Tap



KQQ190133
D.35mm



KQQ190126



KQQ190135



THERMOSTATIC MIXER



19013810
Chromed
(Plastic Handles)

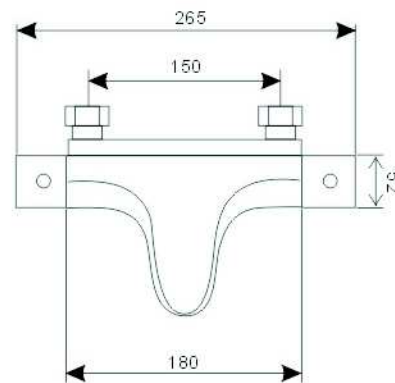


19013810
Black painted
(Zama Handles)



19013810
Zirconium Gold
(Zama Handles)

Finish: Chromed, Black Painted,
Zirconium Gold, Rose Gold
are available



THERMOSTATIC MIXER



66920-2
Black painted
(Zama Handles)

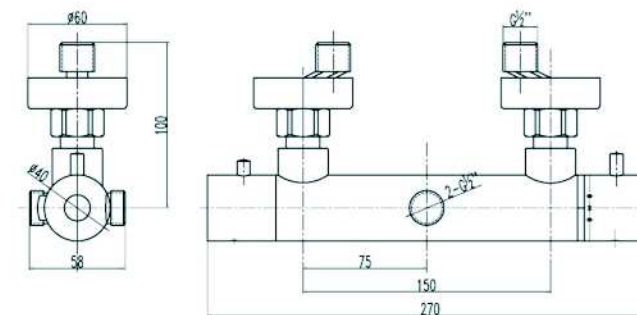


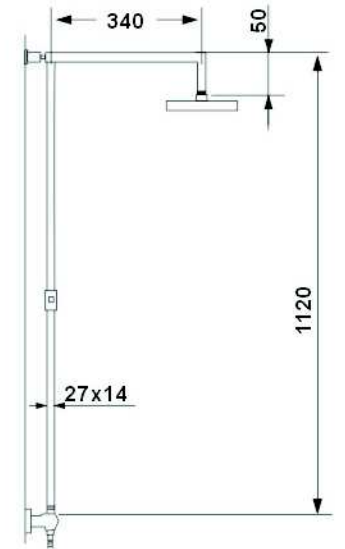
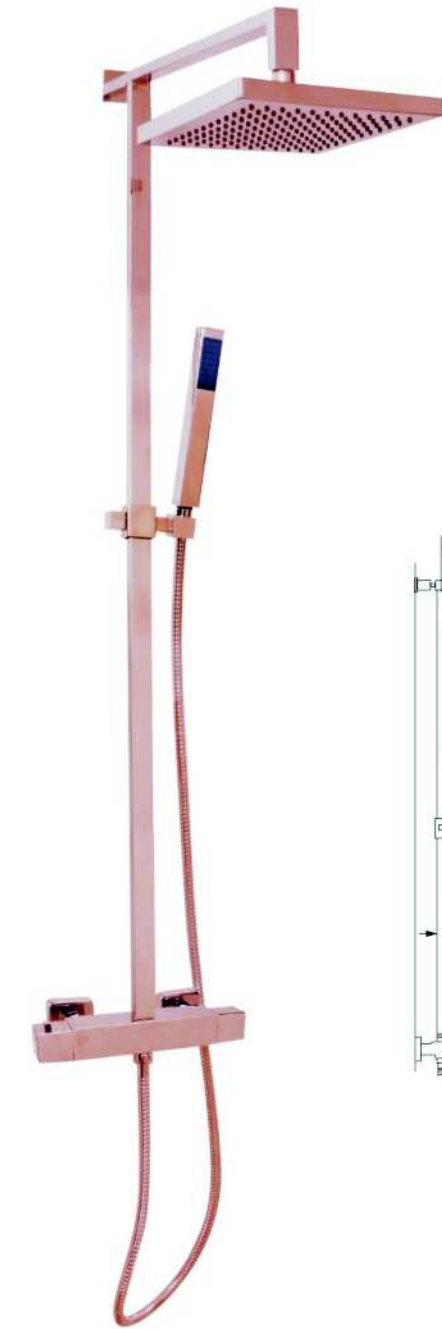
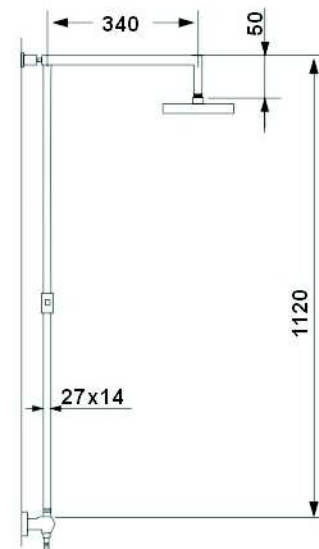
66920-2
Zirconium Gold
(Zama Handles)



66920-2
Rose Gold
(Zama Handles)

Finish: Chromed, Black Painted,
Zirconium Gold, Rose Gold
are available





SCL190101

- *Brass tube
- *Thermostatic shower mixer
- *S/S shower head 350x350mm
- *Plastic handle shower
- *Black pvc hose
- *Black mat finish

SCL190101

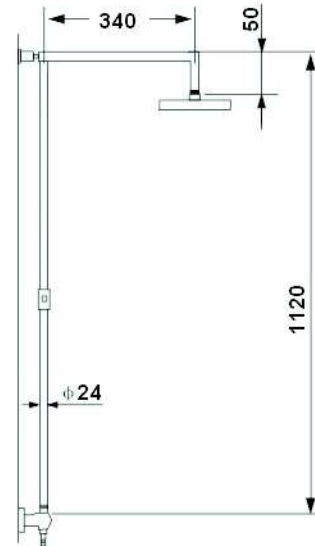
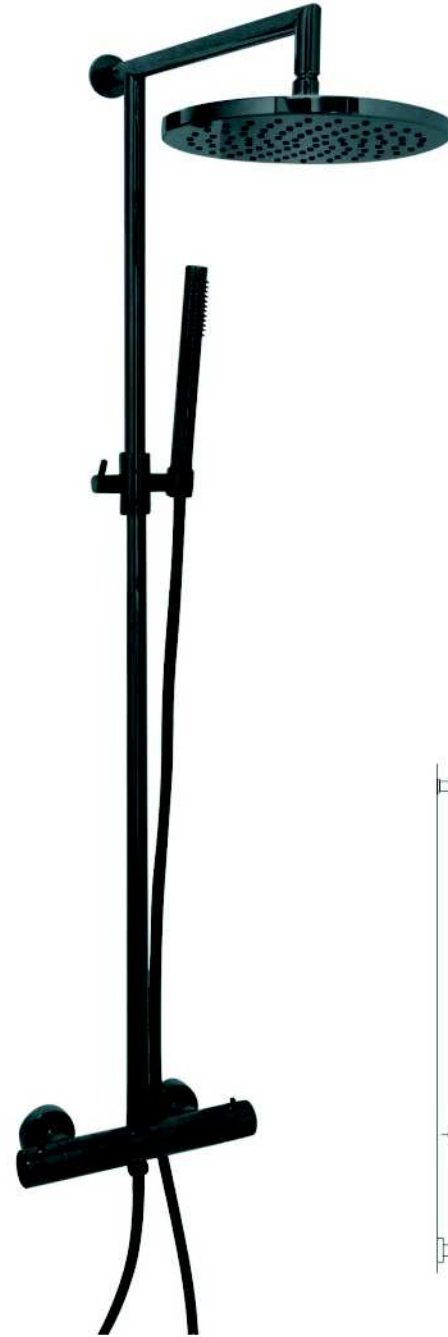
- *Brass tube
- *Thermostatic shower mixer
- *Plastic shower head Size:250x250mm
- *Brass handle shower
- *S/s hose double graff D. 14mm x 1.5m
- *Chromed

SCL190101

- *Brass tube
- *Thermostatic shower mixer
- *Brass shower head Size:200x200mm
- *Brass handle shower
- *S/s hose double graff D. 14mm x 1.5m
- *Zirconium gold

SCL190101

- *Brass tube
- *Thermostatic shower mixer
- *Plastic shower head Size:250x250mm
- *Brass handle shower
- *S/s hose double graff D. 14mm x 1.5m
- *Rose gold

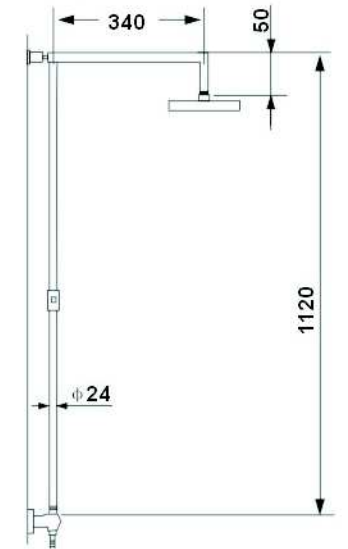


SCL190102

- *Brass tube
- *Thermostatic shower mixer
- *Plastic shower head D.250mm
- *Brass handle shower
- *S/s hose double graff D. 14mm x 1.5m
- *Chromed

SCL190102

- *Brass tube
- *Thermostatic shower mixer
- *Plastic shower head D.250mm
- *Brass handle shower
- *Black pvc hose
- *Black mat finish

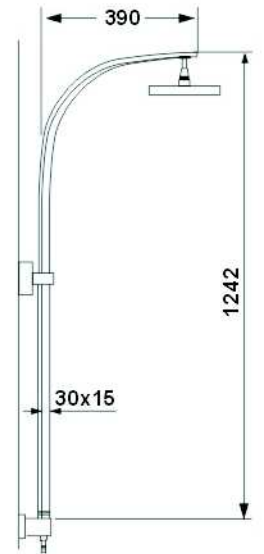
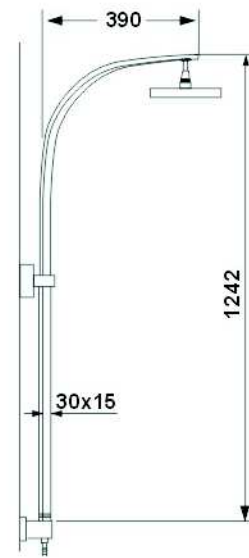


SCL190102

- *Brass tube
- *Thermostatic shower mixer
- *Plastic shower head D.250mm
- *Brass handle shower
- *S/s hose double graff D. 14mm x 1.5m
- *Zirconium gold

SCL190102

- *Brass tube
- *Thermostatic shower mixer
- *Plastic shower head D.250mm
- *Brass handle shower
- *S/s hose double graff D. 14mm x 1.5m
- *Rose gold



SCL190103

- *S/S tube
- *Thermostatic shower mixer
- *S/S shower head Size:350x350mm
- *Plastic handle shower
- *Black pvc hose
- *Black mat finish

SCL190104

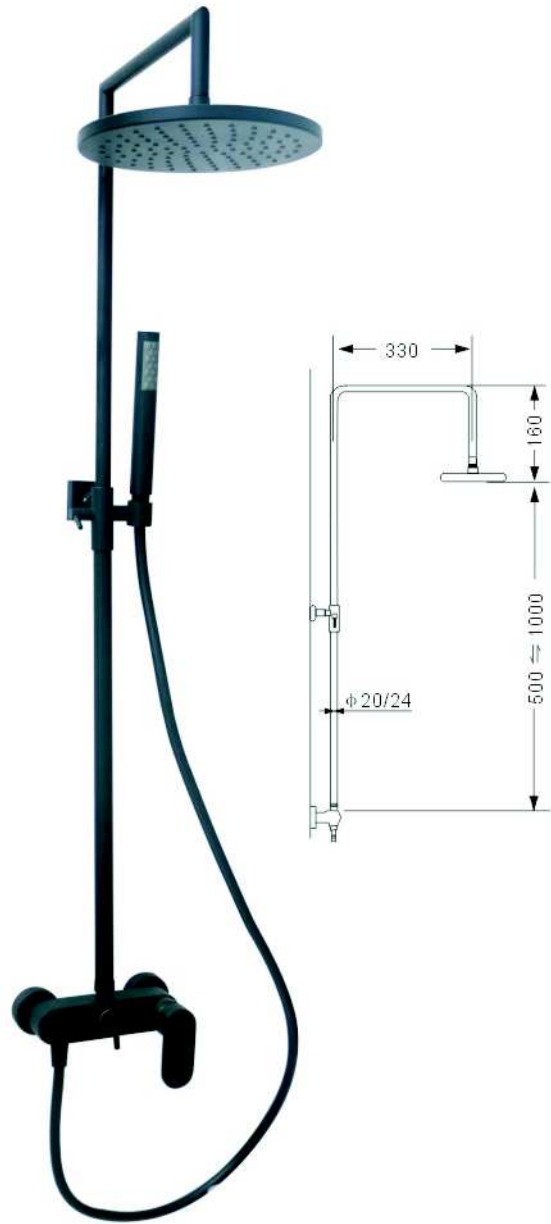
- *S/S tube
- *D.35mm shower mixer
- *S/S shower head Size:350x350mm
- *Plastic handle shower
- *Black pvc hose
- *Black mat finish

SCL190105

- *S/S tube
- *D.35mm shower mixer
- *S/S shower head Size:350x350mm
- *Plastic handle shower
- *Black pvc hose
- *Black mat finish

SCL190106

- *S/S tube
- *D.35mm shower mixer
- *S/S shower head Size:350x350mm
- *Plastic handle shower
- *Black pvc hose
- *Black mat finish



SCL190107

- *Brass tube
- *D.35mm shower mixer
- *Plastic shower head D.250mm
- *Brass handle shower
- *Black pvc hose
- *Black mat finish



SCL190108

- *S/S tube
- *D.25mm shower mixer
- *Plastic shower head D.225mm
- *Plastic handle shower
- *S/s hose double graff D. 14mm x 1.5m
- *Chromed



SCL16255

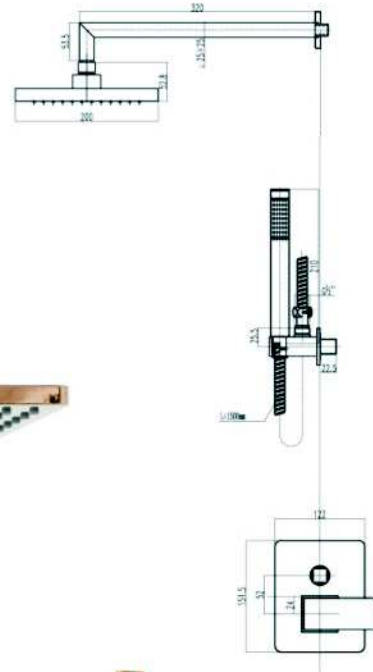
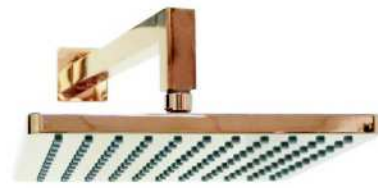
- *Brass tube
- *D.35mm/40mm In built mixer
- *Plastic shower head D.200mm
- *Brass handle shower
- *S/s hose double graff D. 14mm x 1.5m
- *Brass water adapto
- *Zirconium gold



SCL16255

- *Brass tube
- *D.35mm/40mm In built mixer
- *Plastic shower head D.200mm
- *Brass handle shower
- *S/s hose double graff D. 14mm x 1.5m
- *Brass water adapto
- *Rose gold

NOTES: In Built Mixer available in 1 way, 2 way, 3 way.....working by headwork and also by divertor.



SCL16253

- *Brass tube
- *D.35mm In built mixer
- *Plastic shower head Size:200x200mm
- *Plastic handle shower
- *S/s hose double graff D. 14mm x 1.5m
- *Brass water adapto
- *Zirconium gold

SCL16253

- *Brass tube
- *D.35mm In built mixer
- *Plastic shower head Size:200x200mm
- *Plastic handle shower
- *S/s hose double graff D. 14mm x 1.5m
- *Brass water adapto
- *Rose gold

NOTES: In Built Mixer available in 1 way, 2 way, 3 way.....working by headwork and also by diverter.



SL190101

Size:D.19/22/25mmxL.750mm
Chromed

SL190102

Size:D.22mmxL.645mm
Chromed

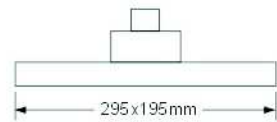
SL0804

Size:D.20mmxL.620mm
Chromed

Plastic Made



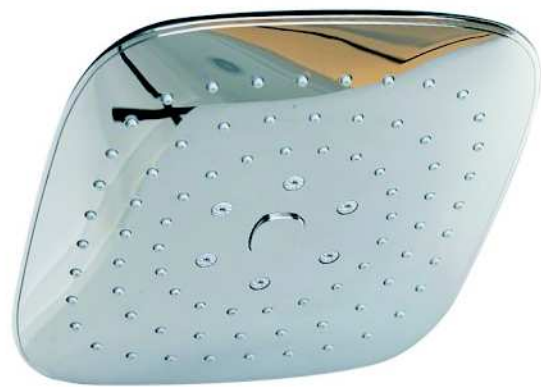
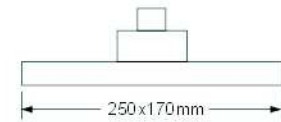
SH180235



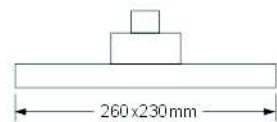
Self Cleaning



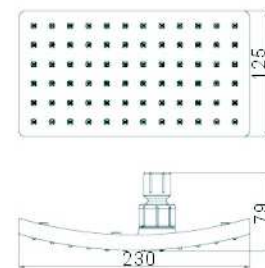
SH180306



SH190111



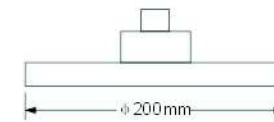
SH190112



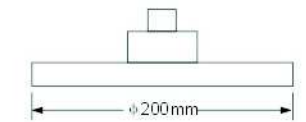
Plastic Made



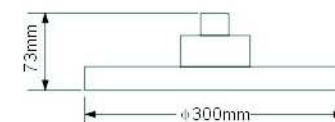
SH190113



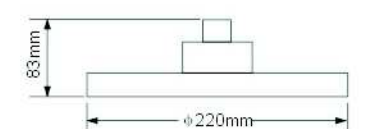
SH190114



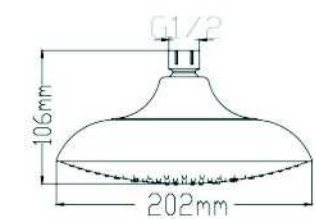
SH190115



SH190116



SH190117

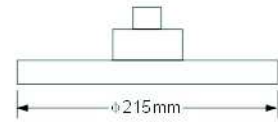




SH190121
D.100mmxL.245mm



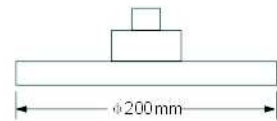
SH190122



SH190123
D.95mmxL.240mm



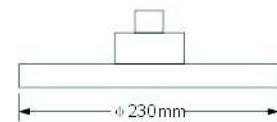
SH190124



SH190127
D.120mmxL.250mm



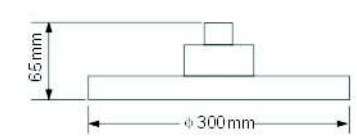
SH190128



SH190125
D.120mmxL.270mm



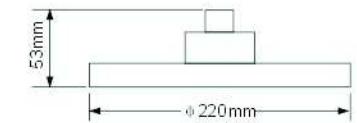
SH190126



SH190129
D.105mmxL.245mm



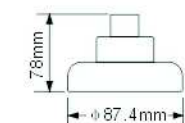
SH190130



SH190131
D.87mmxL.235mm



SH190132





HAND SHOWER

Plastic Made



NINGBO YINZHOU VICLION ELECTRIC CO., LTD.

Add: No.128 JinTong Rd.,XinCheng Village, WuXiang Industrial District,YinZhou
NingBo, 315111 P.R.China.
Responsible Person: Ms. Wang Fang
TEL: 0086-574-87720528,87977001
E-mail: fangwang832@126.com, M.T.: 0086-13505742372
FAX: 0086-574-87721328



SH190146
D.120mmxL.270mm



SH190147
D.120mmxL.270mm



SH190145
D.102mmxL.248mm



Blank lined area for notes or specifications.



SH190141
D.24mmxL.220mm



SH190142
29mmx29mmxL.230mm



SH190144
D.104mmxL.238mm



SH190143
D.120mmxL.250mm



2019年3月印刷

NOTE